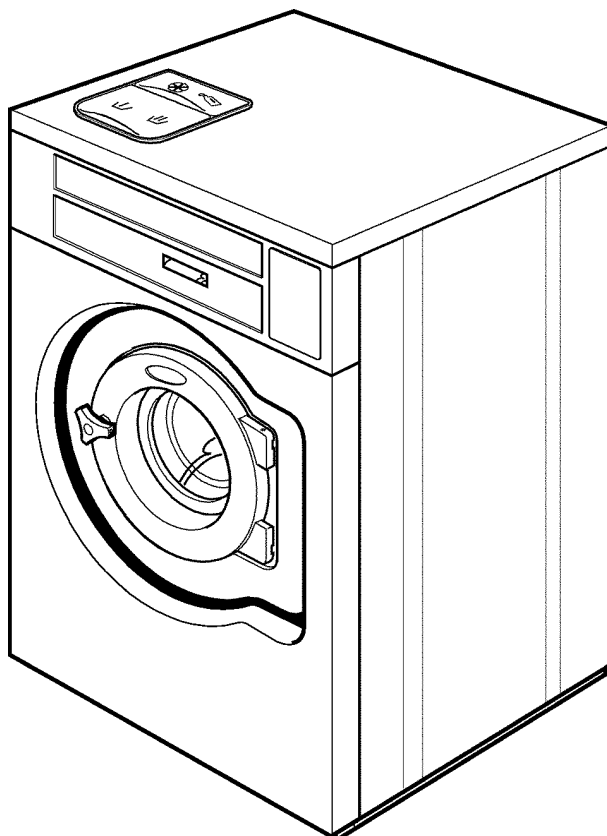


WASCOMAT

Spare Parts Catalogue

Catalogue de pièces de rechange



E675,W675

Washer extractor

Laveuses essoreuses

Valid up to machine No. -xxx/99999

DOC. NO. **438 9191-22**
EDITION 44.2009

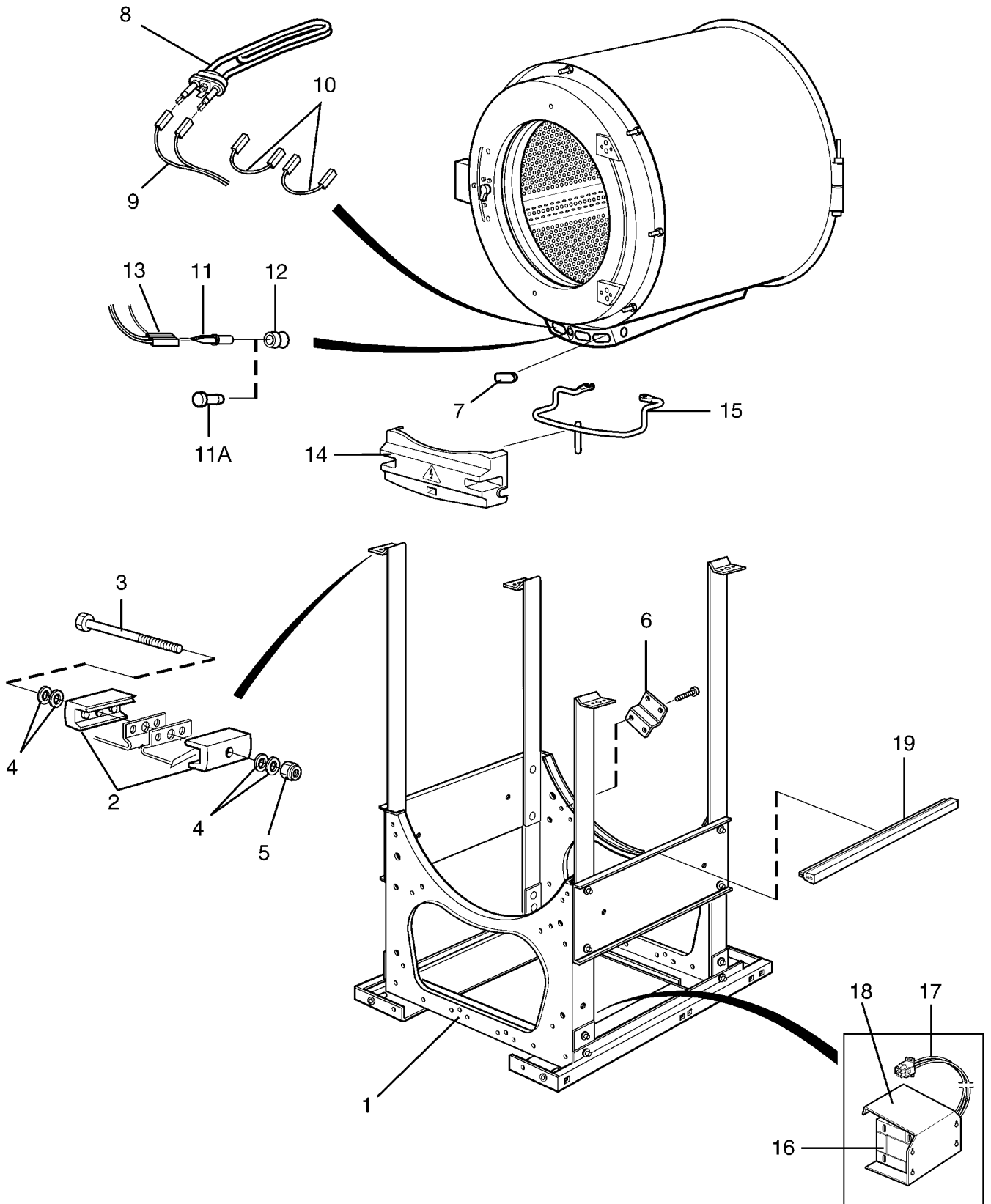
List of issues

E675,SU675c,SU675s,W675,W675c,W675s,W3330M

Illustration	Page	Table of contents
101770	27	Control panel Clarus
101771	59	Detergent container
101772	51	Drain valve
101774	7	Base and outer drum
101776	15	Door lock
101790	47	Water connections
101918	57	Steam components
101924	55	Drain valve, electrical
101946	53	Drain valve and hoses
101949	29	Control panel Classic
101969	71	Technical documentation
101979	63	Coin meter USA
101988	43	Electric components 3AC
101989	45	Electric components Classic 3AC
101990	17	Motors
101991	61	Manual starter unit, Classic
102107	67	CMIS
102110	13	Door and hinged joint
102111	25	Control panel Exacta
102112	11	Drum, rear gable
102113	9	Lining and top panel
102118	35	Electric components Classic OL02
102119	39	Electric components Classic OL03
102121	41	Electric components connection
102122	49	Inlet valves and cable set
102125	31	Electrical components Exacta
102128	65	Coin meter USA Classic

E675,SU675c,SU675s,W675,W675c,W675s,W3330M

Table of contents	Table des matières	Page/Page
Base and outer drum	Base et tambour externe	7
Lining and top panel	Panneau frontal avec pupitre de commande	9
Drum, rear gable	Tambour, pignon arrière	11
*Door and hinged joint	Assemblage articulé et plaque	13
Door lock	Serrure de porte	15
Motors	Moteurs	17
Control panel Exacta	Pupitre de commande Exacta	25
Control panel Clarus	Pupitre de commande Clarus	27
Control panel Classic	Pupitre de commande Classic	29
Electrical components Exacta	Composants électriques Exacta	31
Electric components Classic OL02	Composants électriques Classic OL02	35
Electric components Classic OL03	Composants électriques Classic OL03	39
Electric components connection	Composants électriques raccordement électrique	41
Electric components 3AC	Composants électriques 3AC	43
Electric components Classic 3AC	Composants électriques Classic 3AC	45
Water connections	Raccords d'eau	47
Inlet valves and cable set	Inlet valves and cable set	49
Drain valve	Vanne de vidange	51
Drain valve and hoses	Purgeur et flexible	53
Drain valve, electrical	Drain valve, electrical	55
Steam components	Composants	57
Detergent container	Compartiment à savon	59
Manual starter unit, Classic	Sans monnayeur unité de démarrage, Classic	61
Coin meter USA	Monnayeur USA	63
Coin meter USA Classic	Monnayeur USA Classic	65
CMIS	CMIS	67
Technical documentation	Documentation technique	71



Issue	Month	Year
05	02	04

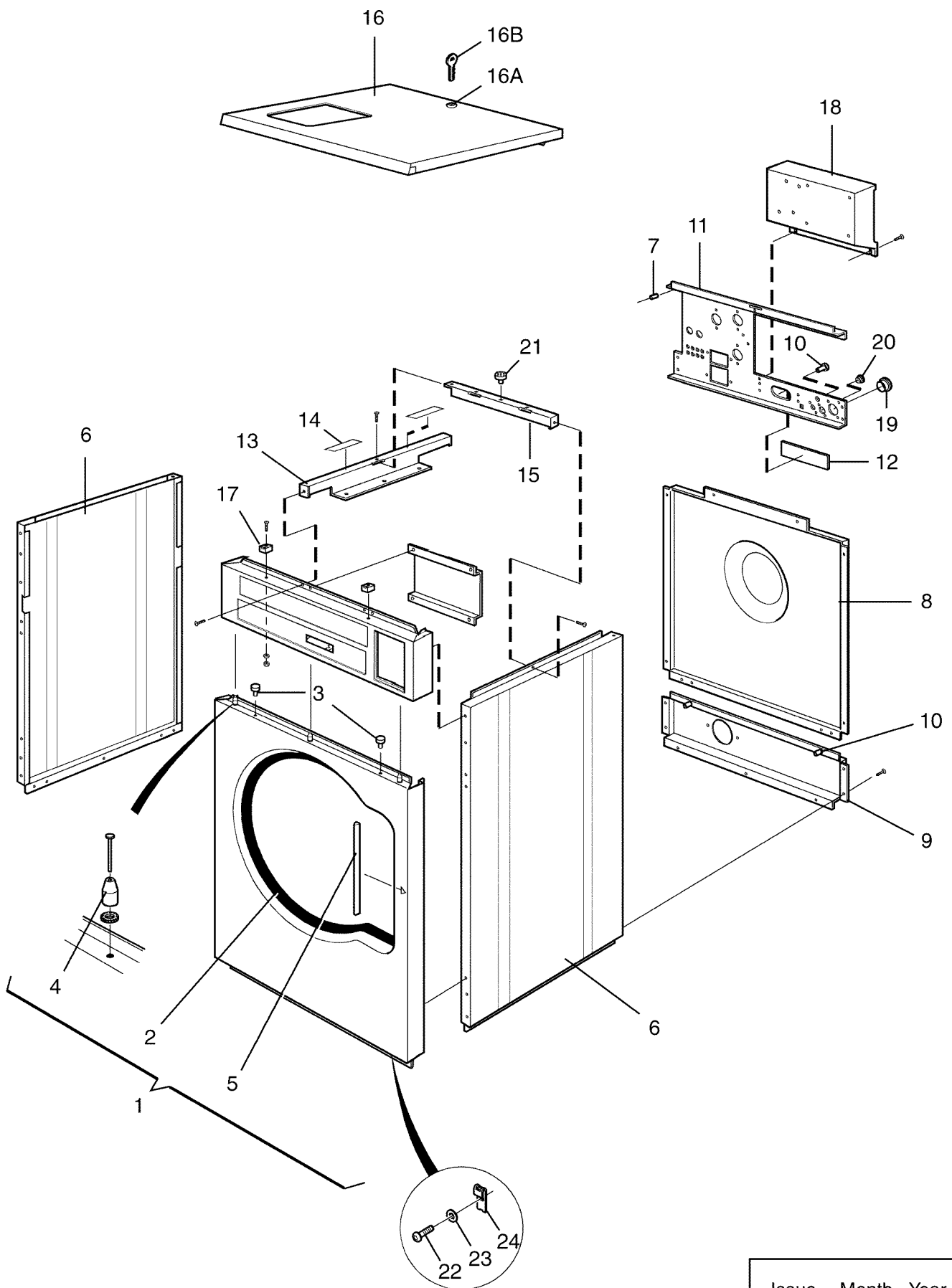
E675,W675,W675c,W675s

Base and outer drum

Base et tambour externe

Illustration Issue Month Year
Schéma Issue Month Year
101774/4 4 2 2007

Item Article	Qua. Qua.	Art.No Réf. article	Description	Description	Info Info	Notes Remarques
	1	432 4415-51	Frame	Base	3	
2	4	432 1453-01	•Tensioner	•Crochet	3	
3	4	725 2465-71	•Screw	•Vis	3	M8X70
4	8	471 7807-02	•Tension plate	•Tôle de serrage	3	18x8,4x2
5	2	732 2118-01	•Locking nut	•Contre-écrou	3	M8
6	1	432 1451-01	•Bracket	•Support	3	
7	Rq	471 9822-99	Plug	Fiche	3	
8	3	471 9822-24	Heating element	Élément de chauffage	1,2	6.36kW 230V -795/6881
	3	471 9827-24	Heating element	Élément de chauffage	1,2	6.36kW 230V 795/6882-
	3	471 9822-21	Heating element	Élément chauffant	1,2	6.6kW 240V -795/6881
	3	471 9827-21	Heating element	Élément de chauffage	1,2	6.6kW 240V 795/6882-
	3	471 9822-22	Heating element	Élément chauffant	1,2	7kW 254V -795/6881
	3	471 9827-22	Heating element	Élément de chauffage	1,2	7kW 254V 795/6882-
	3	471 9822-23	Heating element	Élément chauffant	1,2	7.4kW 277V -795/6881
	3	471 9827-23	Heating element	Élément de chauffage	1,2	7.6kW 277V 795/6882-
	3	471 9823-41	Heating element	Élément chauffant	1,2	3,65 kW 240V, Mop -795/6881
9	1	432 2951-01	Cable set	Jeu de câbles	3	230V 1AC -795/6881
	1	413 2965-03	Cable set	Jeu de câbles	3	230V 795/6882-
	1	432 2951-05	Cable set	Jeu de câbles	3	400V Heating -795/6881
	1	413 2965-02	Cable set	Jeu de câbles	3	400V 795/6882-
10	1	432 2953-06	Cable set	Jeu de câbles	3	400V -795/6881
	1	413 2965-01	Cable set	Jeu de câbles	3	400V 795/6882-
11A	1	438 4118-01	Plug	Fiche	3	HW
11	1	472 9913-22	Sensor	Capteur	1,2	Complete
12	1	471 8192-01	•Bushing	•Douille	1	
13	1	432 3082-74	Cable set	Jeu de câbles	3	
14	1	432 1654-01	Cover	Couvercle	3	
15	1	432 1653-01	Clamp	Bride de fixation	3	
16	1	471 9550-54	Transformer	Transformateur	1	200V
	1	471 9550-59	Transformer	Transformateur	1	356V,380V,415V,440V,480V
17	1	432 2985-01	Cable set	Jeu de câbles	3	
18	1	432 1477-01	Bracket	Pupitre	3	
19	1	432 2198-01	Rubber strip	Joint caoutchouc	3	



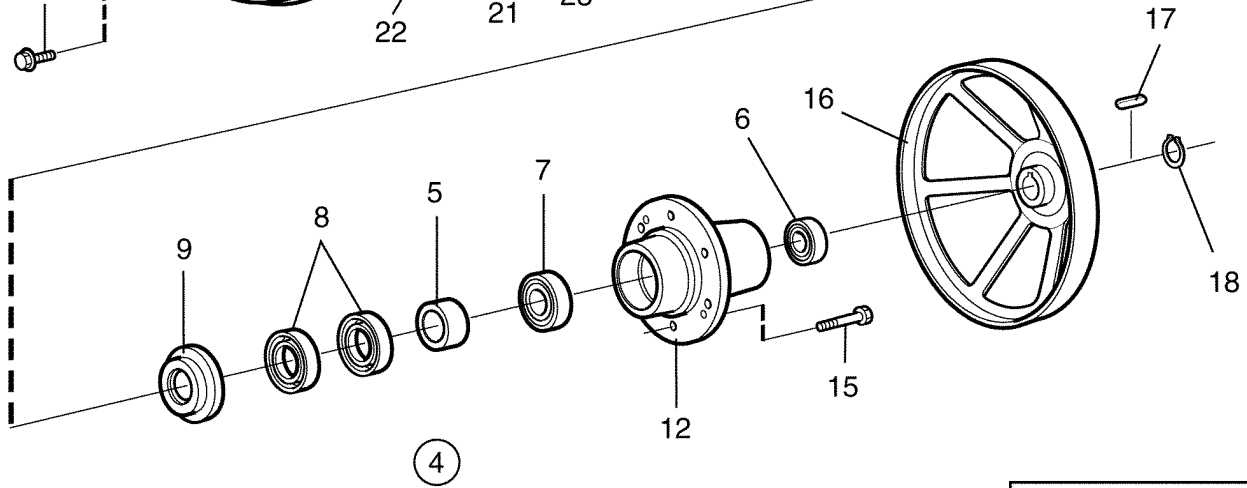
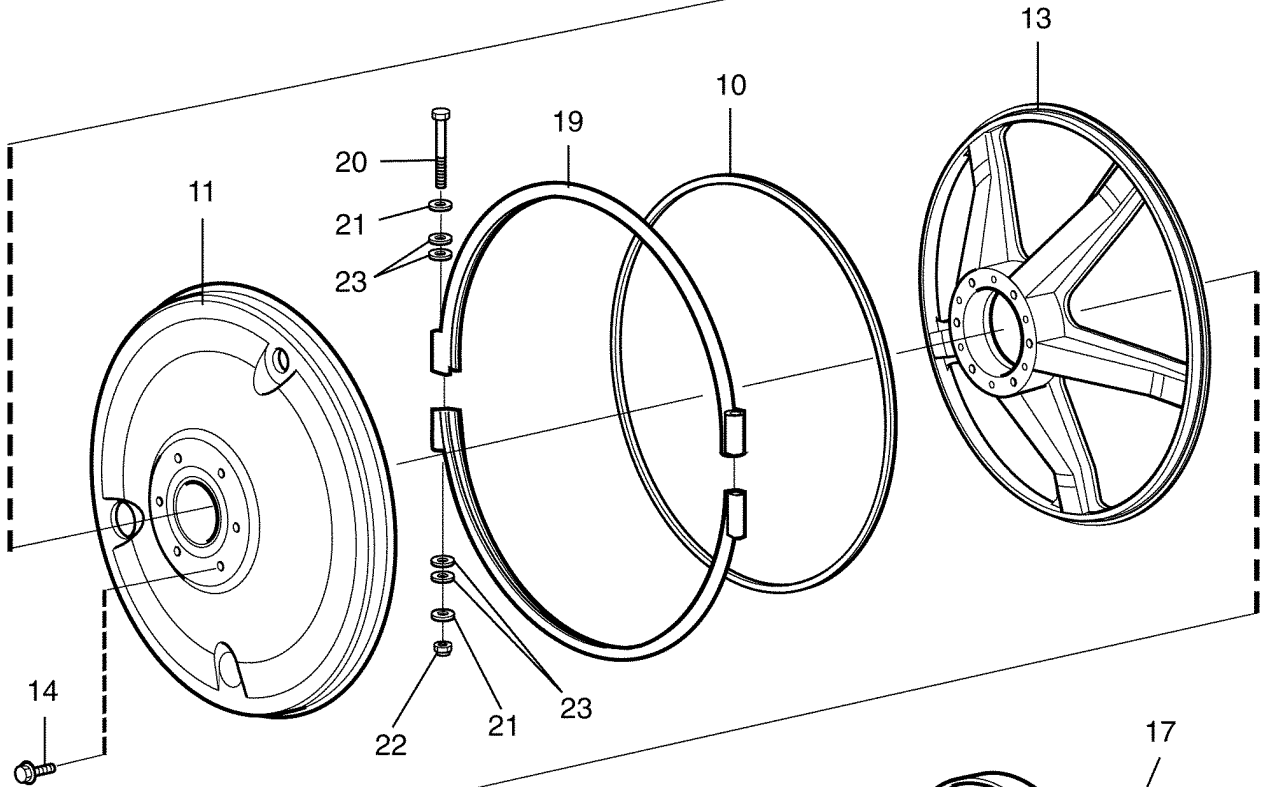
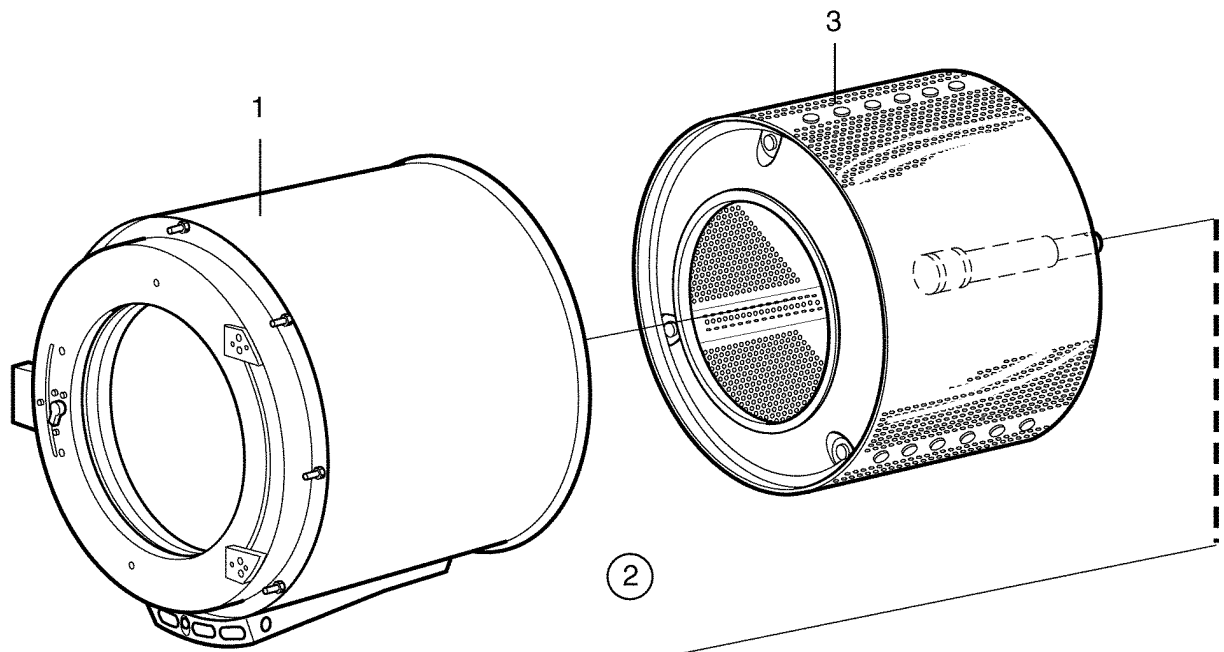
E675,W675,W675c,W675s

Lining and top panel

Panneau frontal avec pupitre de commande

Illustration Issue Month Year
Schéma Issue Month Year
102113/3 7 4 2006

Item Article	Qua. Qua.	Art.No Réf. article	Description	Description	Info Info	Notes Remarques	
1	1	432 2200-61	Front plate	Panneau avant	3	Green	
	1	432 2200-62	Front plate	Panneau avant	3	Complete, yellow	
	1	432 2200-63	Front plate	Panneau avant	3	White	
	1	432 2200-64	Front plate	Panneau avant	3	Complete, red	
	1	432 2200-65	Front panel	Panneau avant	3	Complete, beige/almond	
	1	432 2200-66	Front plate	Panneau avant	3	Complete, Dubix	
	1	432 2200-67	Front plate	Panneau avant	3	Complete, blue	
	1	432 2200-70	Front plate	Panneau avant	3	Stainless	
	2	1	432 2182-04	•Strip	•Ruban	3	
	3	2	471 8196-01	•Plug	•Fiche	3	
4	3	438 5109-02	•Guide pin	•Broche de guidage	3		
5	1	471 4672-67	•Protection	•Protection	3		
6	2	432 2044-01	Side panel	Panneau latéral	3	Grey	
	2	432 2044-02	Side panel	Panneau latéral	3	White	
	2	432 2044-10	Side panel	Panneau latéral	3	Stainless	
7	2	432 2180-01	Spacer	Entretoise	3		
8	1	432 2068-01	Rear panel	Paroi arrière	3	Upper	
9	1	432 2076-01	Rear panel	Panneau arrière	3	Lower	
10	6	471 8458-02	Nut	Écrou	3	M6	
11	1	432 2107-01	Brace bracket	Support de montant	3		
12	1	432 2844-01	Cover plate	Couvercle	3	DS	
13	1	432 2131-07	Brace	Montant	3		
14	2	471 7565-21	Velcro tape	Bande de serrage	3		
15	1	432 2121-02	Brace	Montant	3		
16	1	472 9915-25	Top panel	Couvercle	3	With detergent container	
	1	472 9915-26	Top panel	Couvercle	3	No detergent container	
	1	472 9915-75	Top panel	Couvercle	3	With detergent container With lock	
	1	472 9915-76	Top panel	Couvercle	3	No detergent container With lock	
	1	471 7826-10	•Lock	•Serrure	1,2		
	1	472 9900-99	•Key	•Touche	1,2	SET	
17	2	438 5335-01	Guide	Guide	3		
18	1	432 2170-01	Plate	Cloison	3		
19	1	471 7967-02	Grommet	Oeillet	3		
20	2	471 7977-03	Cover plug	Couvre-bouchon	3		
21	1	471 8641-02	Plug	Fiche	3		
22	2	471 8344-35	Screw	Vis	3	M6X16	
23	2	735 2153-01	Lock washer	Rondelle d'arrêt	3	6,4	
24	2	471 7864-01	Clip	Colliers de serrage	3	M6	



Issue	Month	Year
01	12	01

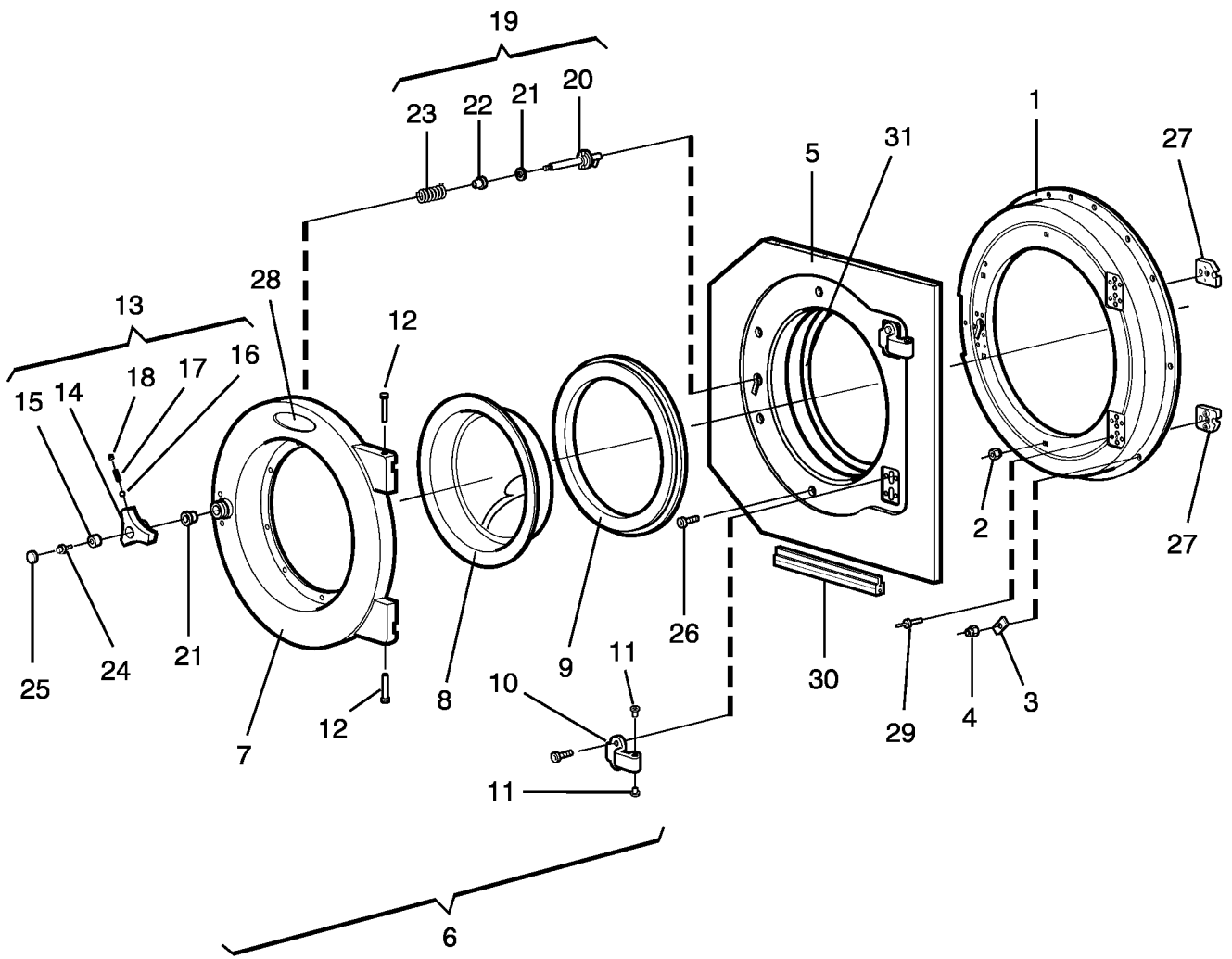
E675,W675,W675c,W675s

Drum, rear gable

Tambour, pignon arrière

Illustration Issue Month Year
Schéma Issue Month Year
102112/1 5 1 2004

Item Article	Qua. Qua.	Art.No Réf. article	Description	Description	Info Info	Notes Remarques
1	1	432 1574-31	Outer drum	Tambour extérieur	3	Non-heated
	1	432 1574-32	Outer drum	Tambour extérieur	3	El/Dual heating
	1	432 1574-33	Outer drum	Tambour extérieur	3	Steam
2	1	432 1609-41	Back plate	Pignon arrière	3	
3	1	432 1504-21	•Inner drum	•Intérieur du tambour	1	
4	1	472 9913-16	•Repair kit	•Kit de reconditionnement	3	
5	1		••Bushing	••Douille		
6	1		••Ball bearing	••Roulement à billes		
7	1		••Ball bearing	••Roulement à billes		
8	2		••Sealing ring	••Bague d'étanchéité		
9	1		••Sealing ring	••Bague d'étanchéité		
10	1	438 8155-05	••Seal	••Joint		
11	1	432 1549-01	•Lining	•Panneau de renfort	3	
12	1	432 1564-01	•Bearing housing	•Logement de palier	3	
13	1	432 1544-01	•End piece	•Pignon	3	
14	10	471 8323-01	•Screw	•Vis	3	M6X12
15	10	471 8328-02	•Screw	•Vis	3	M12X50
16	1	432 1554-01	•Pulley	•Poulie	3	
17	1	735 9630-01	•Wedge	•Cale	3	18x11x63
18	1	735 3147-00	•C-clamp	•Presse à main	3	SGA 60
19	2	432 1569-01	Tension strap	Extenseur	3	
20	2	471 9222-59	Screw	Vis	3	M8X140
21	4	471 8502-34	Washer	Rondelle	3	8,4x24x2
22	2	732 2118-01	Locking nut	Contre-écrou	3	M8
23	8	471 7807-02	Tension plate	Tôle de serrage	3	18x8,4x2

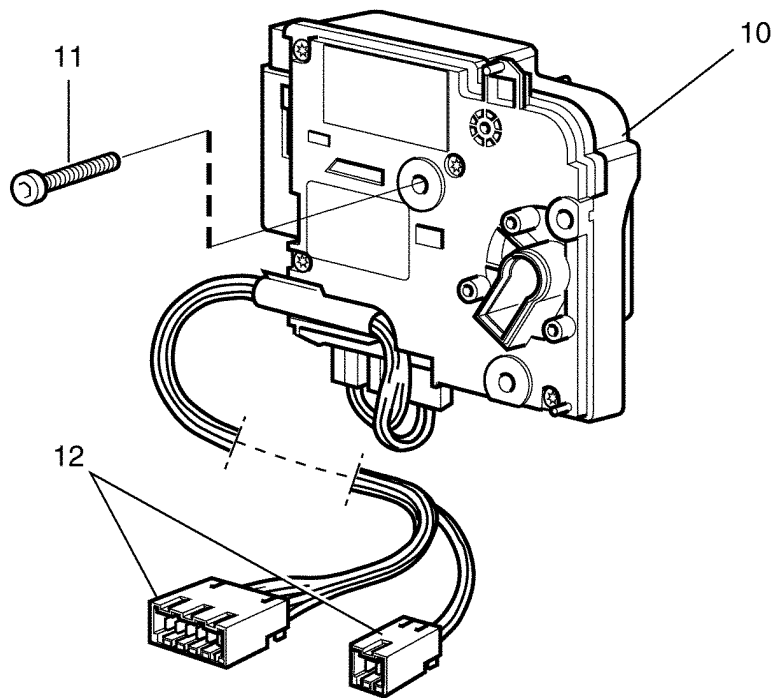
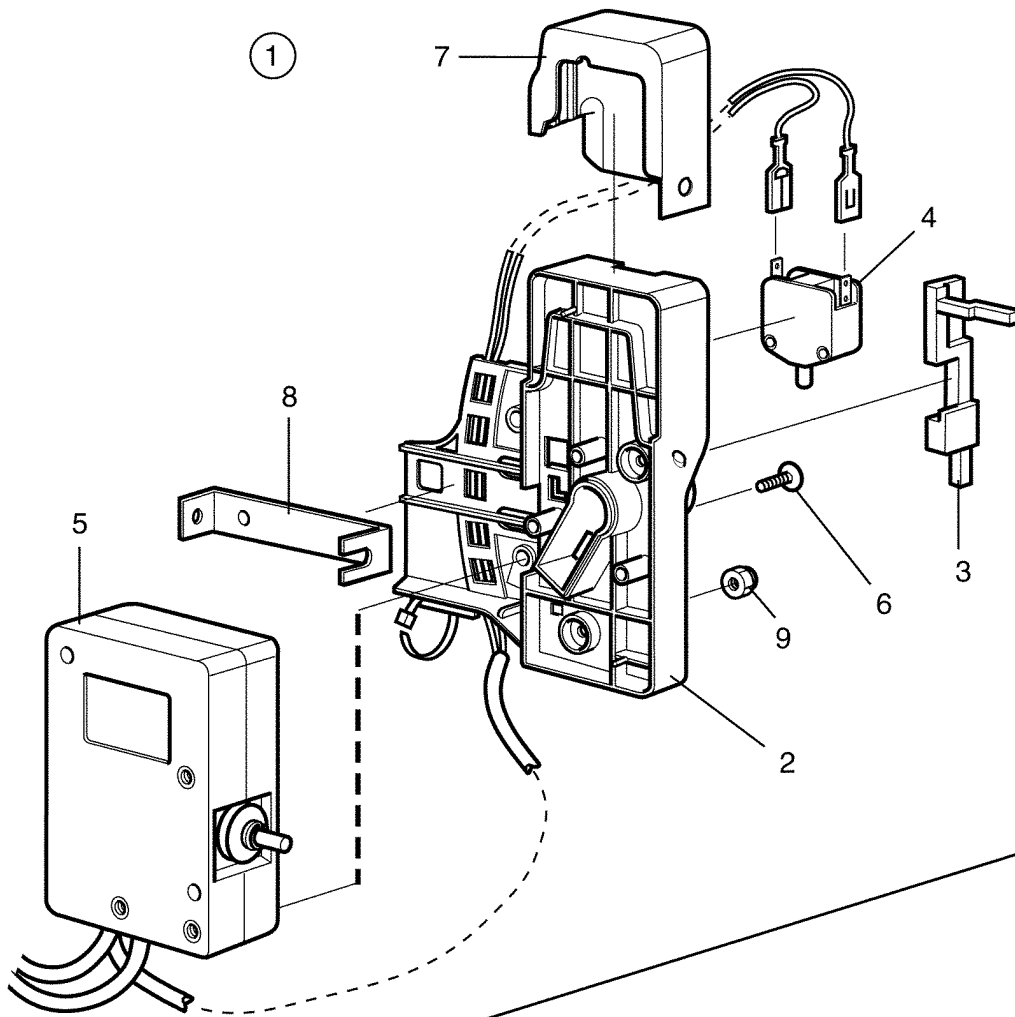


E675,W675,W675c,W675s**Door and hinged joint**

Illustration	Issue	Month	Year
Schéma	Issue	Month	Year
102110/2	9	8	2009

Assemblage articulé et plaque

Item Article	Qua. Qua.	Art.No Réf. article	Description	Description	Info Info	Notes Remarques
1	1	432 1874-01	Support frame	Panneau de fixation	3	
2	4	471 8458-02	Nut	Écrou	3	M6
3	11	471 8527-01	Spring washer	Rondelle à ressort	3	
4	11	471 8404-02	Locking nut	Contre-écrou	3	M6
5	1	432 1890-01	Trim panel	Plaque de décoration	3	
*	1	432 1888-11	Trim panel	Panneau d'habillage	3	Stainless
6	1	432 4312-01	Door	Plaque	1	Complete
	1	432 4312-02	Door	Plaque	1	Lagoon/ AquaClean Complete
7	1	432 1828-01	•Door	•Plaque	3	
8	1	432 1858-01	•Door glass	•Vitre de la porte	1,2	
	1	432 1858-02	•Door glass	•Vitre de la porte	1,2	Lagoon/ AquaClean
9	1	432 1843-02	•Door gasket	•Joint de porte	1,2	
10	4	432 1950-02	•Hinged joint	•Assemblage articulé	1	
11	8	438 4062-01	•Bushing	•Douille	3	
12	2	432 1962-01	•Pin	•Goupille	3	
13	1	432 1955-01	•Knob	•Bouton de porte	1,2	Complete
14	1		••Knob	••Bouton de porte		
15	1		••Bushing	••Douille		
16	3		••Ball	••Bille		
17	3		••Spring	••Ressort		
18	3	728 8362-11	••Screw	••Vis		
19	1	472 9913-01	•Kit, lock shaft	•Kit réparation de poignée	1,2	
20	1		••Lock shaft	••Axe de verrouillage		
21	1		••Washer	••Rondelle	3	
22	2		••Bushing	••Douille		
23	1		••Torsion spring	••Ressort rotatif		
24	1	725 2366-61	•Screw	•Vis	3	M6SF 6X12
25	1	432 1956-01	•Cover washer	•Rondelle protection	3	
26	12	471 8344-36	Screw	Vis	3	
27	4	432 1951-01	Bracket	Support de montage	3	
28	1	432 2620-01	Sign	Signe	3	
	1	432 2620-02	Sign	Signe	3	Wascomat
	1	432 2620-07	Sign	Signe	3	
	1	432 2620-04	Sign	Signe	3	Zanussi
	1	432 2620-08	Sign	Signe	3	
29	4	471 8471-01	Pop rivet	Rivet	3	
30	1	432 2198-02	Rubber strip	Joint caoutchouc	3	
*	1	438 8115-04	Rubber strip	Joint caoutchouc	3	L=1470



Issue	Month	Year
02	08	03

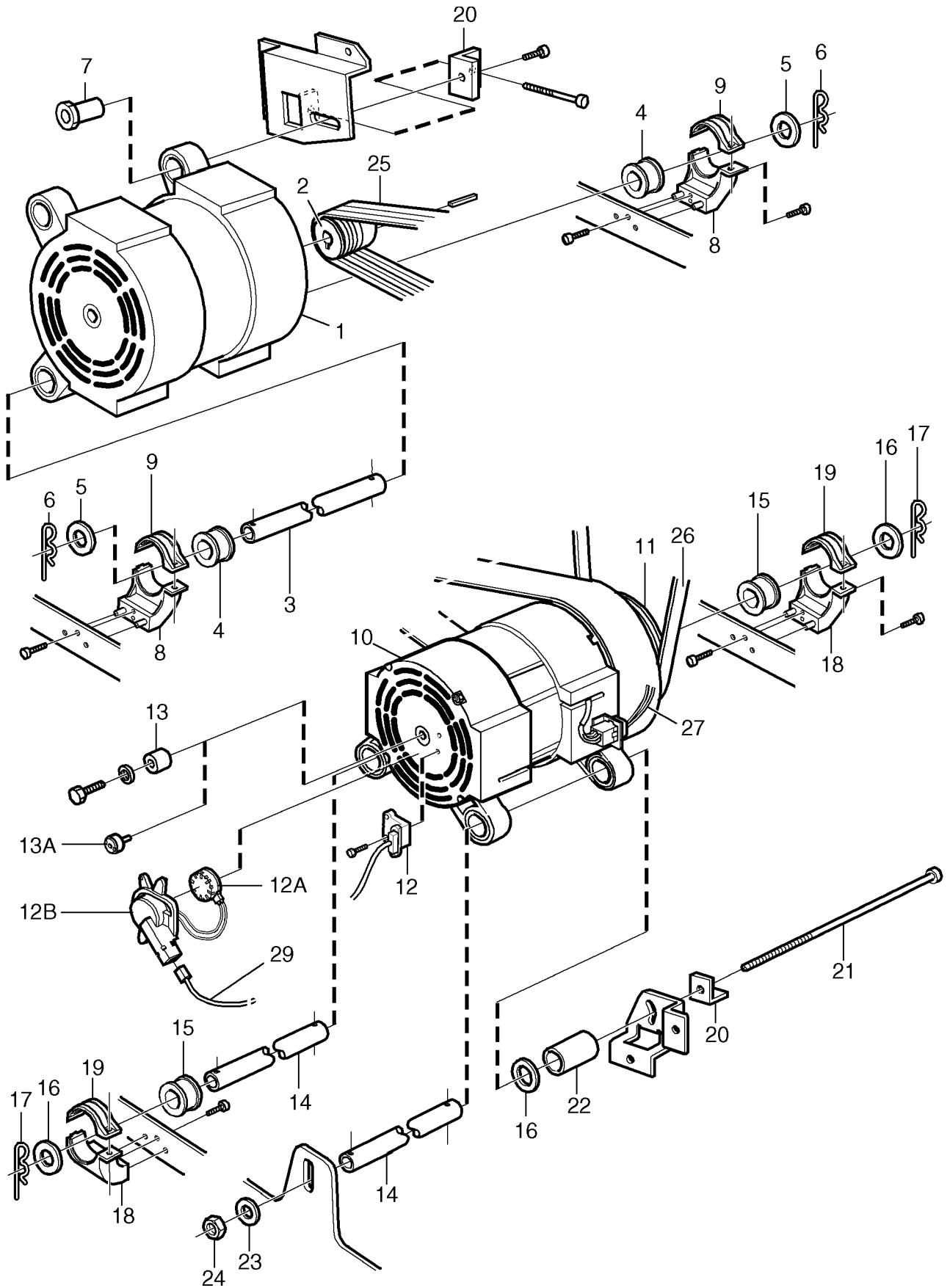
E675,SU675c,SU675s,W675,W675c,W675s,W3330M

Door lock

Serrure de porte

Illustration Issue Month Year
Schéma Issue Month Year
101776/2 3 10 2003

Item Article	Qua. Qua.	Art.No Réf. article	Description	Description	Info Info	Notes Remarques
1	1	472 9913-72	Door locking device	Serrure de porte	1,2	CONVERSION KIT -795/3535
2	1		Lock plate	Case de serrure		
3	1		Catch	Dispositif blocage		
4	1	471 9679-01	Microswitch	Microrupteur	1,2	
5	1		Actuator	Actuator		
6	2		Screw	Vis		M5X16
7	1	432 1960-01	Cover	Couvercle	3	
8	1		Plate	Cloison		
9	2		Locking nut	Contre-écrou		M5
10	1	438 9561-01	Door locking device	Serrure de porte	1,2	Complete 795/3536-
11	3	471 8342-47	Screw	Vis	3	M6X25
12	1	432 2905-01	Cable set	Jeu de câbles	3	

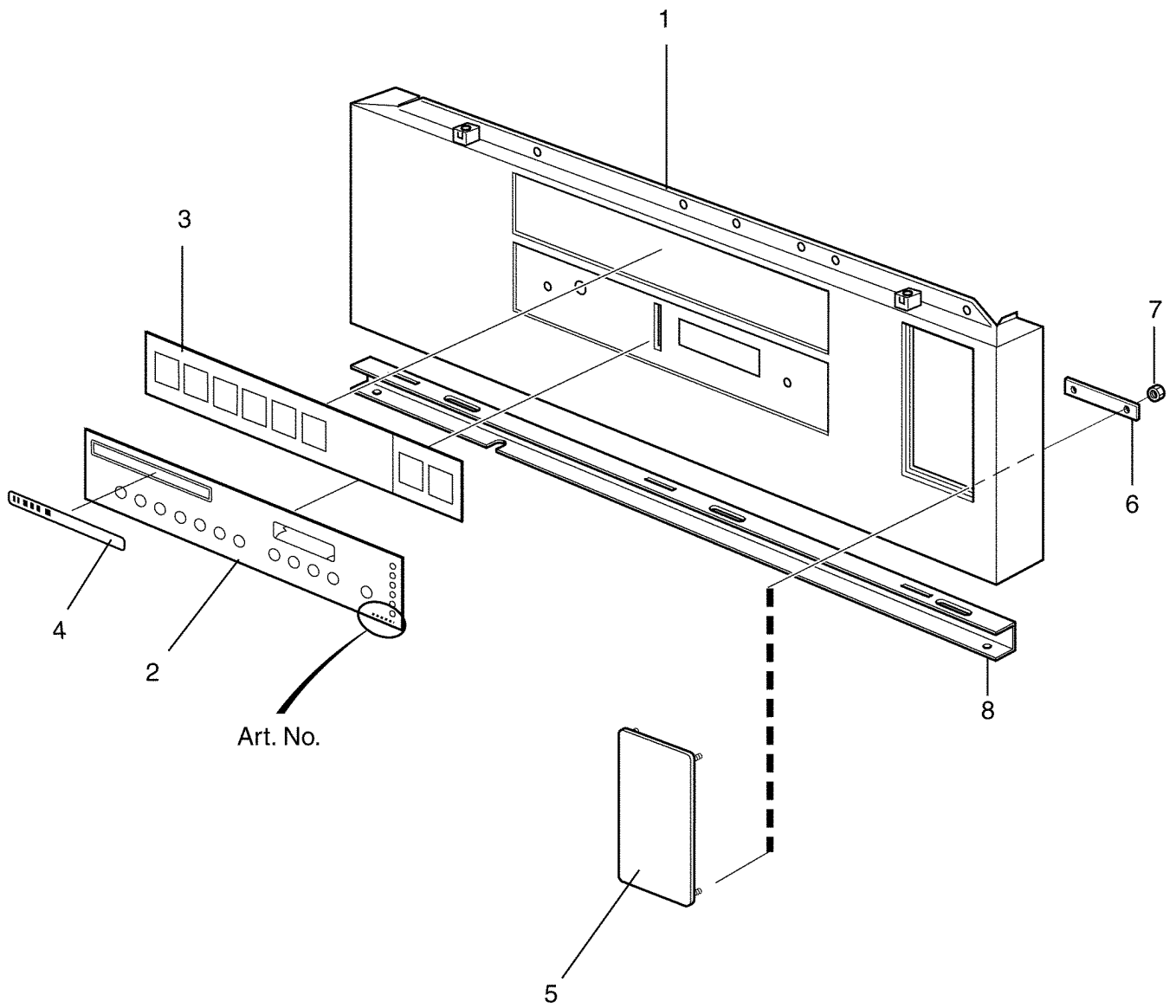


E675,W675,W675c,W675s**Motors**

Illustration	Issue	Month	Year
Schéma	Issue	Month	Year
101990/1	6	9	2006

Moteurs

Item Article	Qua. Qua.	Art.No Réf. article	Description	Description	Info Info	Notes Remarques
1	1	438 9700-62	Motor	Moteur	3	200-240V 3AC 60 Hz Complete
	1	438 9709-61	Motor	Moteur	3	380-415V 3AC 50Hz Complete
	1	438 9700-61	Motor	Moteur	3	415-480V 3AC 60Hz Complete
	1	438 9709-62	Motor	Moteur	3	190-200V 3AC 50Hz Complete
	1	438 9709-63	Motor	Moteur	3	400-415/230V 3AC 50Hz Complete
2	1	471 4647-66	•Pulley	•Poulie	3	
3	1		•Pipe	•Tube		
4	2	438 4049-01	•Damper	•Amortisseur	3	
5	2	471 8502-24	•Washer	•Rondelle	3	12x35
6	2	471 7867-01	•Pin	•Goupille/broche	3	
7	1	432 1465-01	•Flange bushing	•Douille à bride	3	
8	2	432 1463-01	•Bracket	•Support de montage	3	
9	2	432 1472-01	•Clamp	•Bride de fixation	3	
10	1	438 9710-62	Extract motor	Moteur	3	200-240V 3AC 60 Hz Complete
	1	438 9719-61	Extract motor	Moteur	3	380-415V 3AC 50Hz Complete
	1	438 9710-61	Extract motor	Moteur	3	415-480V 3AC 60Hz Complete
	1	438 9719-62	Extract motor	Moteur	3	190-200V 3AC 50Hz
	1	438 9719-63	Extract motor	Moteur	3	400-415/230V 3AC 50Hz Complete
11	1	432 1210-91	•Pulley	•Poulie	3	50Hz
	1	432 1210-92	•Pulley	•Poulie	3	60Hz
12	1	472 9913-44	•Sensor	•Capteur	1,2	
13	1	432 3905-01	•Magnet	•Aimant	3	
14	2		•Pipe	•Tube		
15	2	438 4049-01	•Damper	•Amortisseur	3	
16	3	471 8502-24	•Washer	•Rondelle	3	12x35
17	2	471 7867-01	•Pin	•Goupille/broche	3	
18	2	432 1463-01	•Bracket	•Support de montage	3	
19	2	432 1472-01	•Clamp	•Bride de fixation	3	
20	2	432 1455-01	Washer	Rondelle	3	
21	1	471 8356-08	Screw	Vis	3	M12X300
22	1	471 8637-03	Pipe	Tube	3	
23	1	471 8502-10	Washer	Rondelle	3	12x35
24	1	732 2122-01	Locking nut	Contre-écrou	3	M12
25	1	471 7701-13	Ribbed belt	Courroie poly V	1,2	Set of 3
26	1	471 7705-09	Ribbed belt	Courroie poly V	1,2	50Hz
	1	471 7705-10	Ribbed belt	Courroie poly V	1,2	
27	1	432 2994-01	Cable set	Jeu de câbles	3	
28	1	432 3083-36	Cable set	Jeu de câbles	3	-795/4624
	1	432 3093-36	Cable set	Jeu de câbles	3	795/4625-



Issue	Month	Year
01	12	01

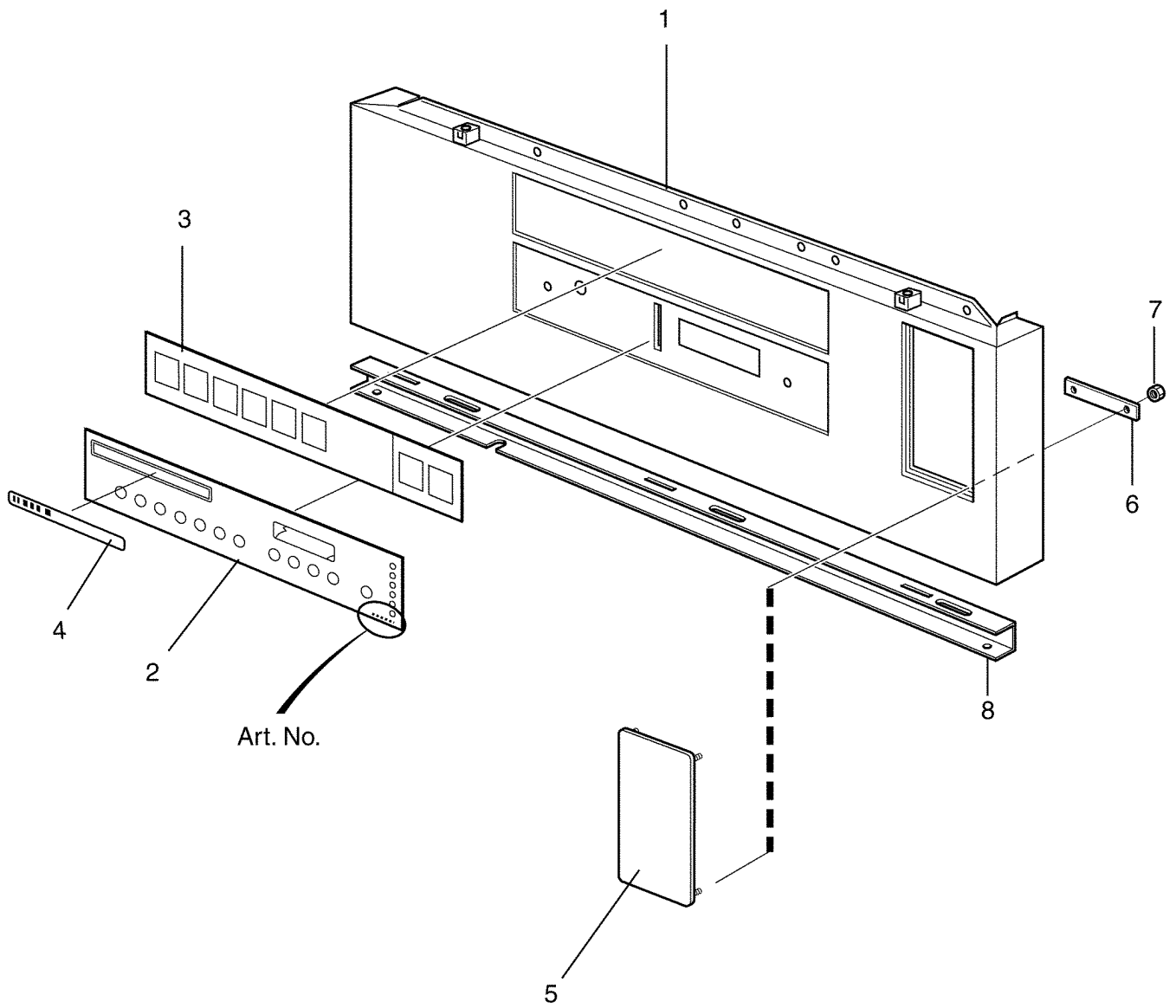
E675,W675,W675c,W675s

Control panel Exacta

Pupitre de commande Exacta

Illustration Issue Month Year
Schéma Issue Month Year
102111/1 2 5 2004

Item Article	Qua. Qua.	Art.No Réf. article	Description	Description	Info Info	Notes Remarques
1	1	432 2016-01	Front panel	Panneau avant	3	
2	1	432 2720-01	Panel sign	Voyant du tableau	1	Program 2A01, 2G41
	1	432 2720-02	Panel sign	Voyant du tableau	1	Program 2H11
	1	432 2720-03	Panel sign	Voyant du tableau	1	Program 2H12
	1	432 2720-07	Panel sign	Voyant du tableau	1	Program 2G01
	1	432 2720-04	Panel sign	Voyant du tableau	1	Program 2W01, 2H01, 2H02, 2M11, 2F01, 2F02
	1	432 2720-11	Panel sign	Voyant du tableau	1	Program 2L31
	1	432 2720-06	Panel sign	Voyant du tableau	1	Program 2L01, 2L02
	1	432 2720-05	Panel sign	Voyant du tableau	1	Program 2L41
	1	432 2720-14	Panel sign	Voyant du tableau	1	Program 2L51
	1	432 2720-08	Panel sign	Voyant du tableau	1	Program 2M01
	1	432 2720-09	Panel sign	Voyant du tableau	1	Program 2H21
	1	432 2720-10	Panel sign	Voyant du tableau	1	Program 2L11, 2L12
	1	432 2720-12	Panel sign	Voyant du tableau	1	Program 2R01
	1	432 2720-15	Panel sign	Voyant du tableau	1	Program 2S01
	1	432 2720-13	Panel sign	Voyant du tableau	1	Program 2A11
3	1	432 2649-03	Instruction plate	Plaque instruction utilisation	3	Program 2G41 Japanese
	1	432 2649-04	Instruction plate	Plaque instruction utilisation	3	Program 2W41 Japanese
	1	432 2649-05	Instruction plate	Plaque instruction utilisation	3	Program 2L41 Japanese
	1	432 2649-06	Instruction plate	Plaque instruction utilisation	3	Program 2L51 Japanese
	1	432 2649-07	Instruction plate	Plaque instruction utilisation	3	Program 2H42 Japanese
	1	432 2649-20	Instruction plate	Plaque instruction utilisation	3	Program 2A01 English
	1	432 2649-21	Instruction plate	Plaque instruction utilisation	3	Program 2M01 French
	1	432 2649-22	Instruction plate	Plaque instruction utilisation	3	Program 2M11, Mop Danish
	1	432 2649-23	Instruction plate	Plaque instruction utilisation	3	Program 2H12 Swedish
	1	432 2649-24	Instruction plate	Plaque instruction utilisation	3	Program 2M12 Swedish
	1	432 2649-25	Instruction plate	Plaque instruction utilisation	3	Program 2C01 Spanish
	1	432 2649-26	Instruction plate	Plaque instruction utilisation	3	Program 2A01 Danish
	1	432 2649-27	Instruction plate	Plaque instruction utilisation	3	Program 2A01 Swedish
	1	432 2649-28	Instruction plate	Plaque instruction utilisation	3	Program 2L01 English
	1	432 2650-02	Instruction plate	Plaque instruction utilisation	3	Program 2A01 Danish
	1	432 2650-03	Instruction plate	Plaque instruction utilisation	3	Program 2H11 Swedish
	1	432 2650-04	Instruction plate	Plaque instruction utilisation	3	Program 2W01, Aqua Clean Swedish
	1	432 2650-05	Instruction plate	Plaque instruction utilisation	3	Program 2L41 Japanese
	1	432 2650-06	Instruction plate	Plaque instruction utilisation	3	Program 2S01, Selecta USA
	1	432 2650-07	Instruction plate	Plaque instruction utilisation	3	Program 2G01 English
	1	432 2650-08	Instruction plate	Plaque instruction utilisation	3	Program 2G01 German
	1	432 2650-09	Instruction plate	Plaque instruction utilisation	3	Program 2G01 French
	1	432 2650-10	Instruction plate	Plaque instruction utilisation	3	Program 2G01 Swedish
	1	432 2650-11	Instruction plate	Plaque instruction utilisation	3	Program 2L31, Emerald USA
	1	432 2650-12	Instruction plate	Plaque instruction utilisation	3	Program 2L01 English
	1	432 2650-13	Instruction plate	Plaque instruction utilisation	3	Program 2M01, Mop English
	1	432 2650-14	Instruction plate	Plaque instruction utilisation	3	Program 2W01, Aqua Clean English
	1	432 2650-16	Instruction plate	Plaque instruction utilisation	3	Program 2H21, Hygienic Danish
	1	432 2650-17	Instruction plate	Plaque instruction utilisation	3	Program 2L11, Thermoboost German
	1	432 2650-18	Instruction plate	Plaque instruction utilisation	3	Program 2L12, Laundrette German
	1	432 2650-19	Instruction plate	Plaque instruction utilisation	3	Program 2H02, Selecta Danish
	1	432 2650-20	Instruction plate	Plaque instruction utilisation	3	Program 2H01, Hospital English
	1	432 2650-24	Instruction plate	Plaque instruction utilisation	3	Program 2A01, W3240 Swedish
	1	432 2650-25	Instruction plate	Plaque instruction utilisation	3	Program 2M11, Mop Swedish
	1	432 2650-26	Instruction plate	Plaque instruction utilisation	3	Program 2F01, Farm Swedish



Issue	Month	Year
01	12	01

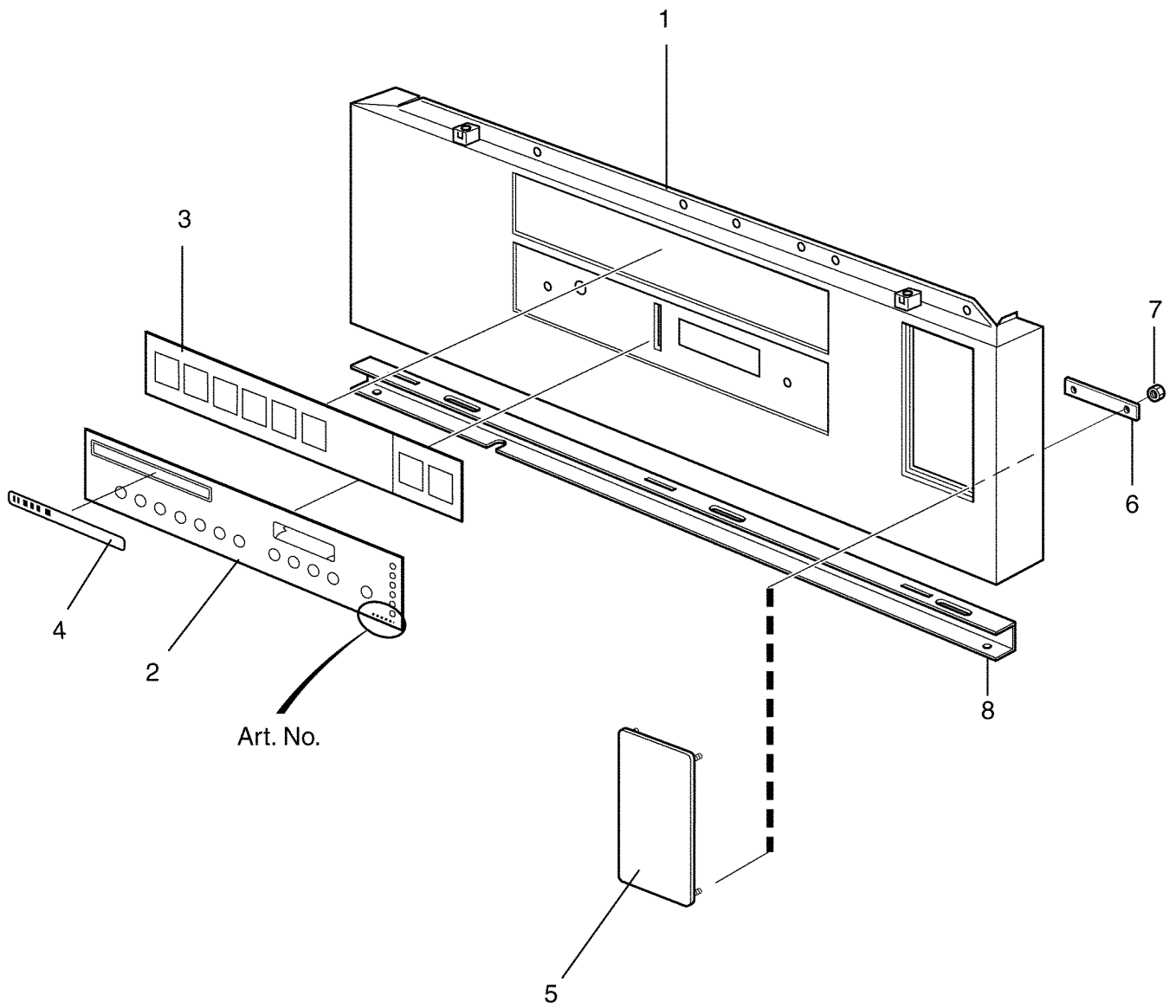
E675,W675,W675c,W675s

Control panel Exacta

Pupitre de commande Exacta

Illustration Issue Month Year
Schéma Issue Month Year
102111/1 2 5 2004

Item Article	Qua. Qua.	Art.No Réf. article	Description	Description	Info Info	Notes Remarques
	1	432 2650-27	Instruction plate	Plaque instruction utilisation	3	Program 2R01, QSR Swedish
	1	432 2650-28	Instruction plate	Plaque instruction utilisation	3	Program 2F01, Farm English
	1	432 2650-29	Instruction plate	Plaque instruction utilisation	3	Program 2R01, QSR English
	1	432 2650-30	Instruction plate	Plaque instruction utilisation	3	Program 2F01, Farm German
	1	432 2650-31	Instruction plate	Plaque instruction utilisation	3	Program 2F02, Westfalla German
	1	432 2650-32	Instruction plate	Plaque instruction utilisation	3	Program 2L01 German
	1	432 2650-33	Instruction plate	Plaque instruction utilisation	3	Program 2M01, Mop German
	1	432 2650-34	Instruction plate	Plaque instruction utilisation	3	Program 2R01, QSR German
	1	432 2650-35	Instruction plate	Plaque instruction utilisation	3	Program 2W01, Aqua Clean German
	1	432 2650-36	Instruction plate	Plaque instruction utilisation	3	Program 2H21, Hygienic, Nyborg English
	1	432 2650-37	Instruction plate	Plaque instruction utilisation	3	Program 2L12, Nyborg English
	1	432 2650-38	Instruction plate	Plaque instruction utilisation	3	Program 2F01, Farm French
	1	432 2650-39	Instruction plate	Plaque instruction utilisation	3	Program 2L01 French
	1	432 2650-40	Instruction plate	Plaque instruction utilisation	3	Program 2L02, Mench French
	1	432 2650-41	Instruction plate	Plaque instruction utilisation	3	Program 2R01, QSR French
	1	432 2650-42	Instruction plate	Plaque instruction utilisation	3	Program 2W01, Aqua Clean French
	1	432 2650-43	Instruction plate	Plaque instruction utilisation	3	Program 2L12 French
	1	432 2650-44	Instruction plate	Plaque instruction utilisation	3	Program 2F01, Farm Italian
	1	432 2650-45	Instruction plate	Plaque instruction utilisation	3	Program 2G01 Italian
	1	432 2650-46	Instruction plate	Plaque instruction utilisation	3	Program 2R01, QSR Italian
	1	432 2650-47	Instruction plate	Plaque instruction utilisation	3	Program 2L12 Italian
	1	432 2650-48	Instruction plate	Plaque instruction utilisation	3	Program 2W01, Aqua Clean Italian
	1	432 2650-49	Instruction plate	Plaque instruction utilisation	3	Program 2F01, Farm Spanish
	1	432 2650-50	Instruction plate	Plaque instruction utilisation	3	Program 2G01 Spanish
	1	432 2650-51	Instruction plate	Plaque instruction utilisation	3	Program 2L01 Spanish
	1	432 2650-52	Instruction plate	Plaque instruction utilisation	3	Program 2R01, QSR Spanish
	1	432 2650-53	Instruction plate	Plaque instruction utilisation	3	Program 2W01, Aqua Clean Spanish
	1	432 2650-54	Instruction plate	Plaque instruction utilisation	3	Program 2L12 Spanish
	1	432 2650-55	Instruction plate	Plaque instruction utilisation	3	Program 2F01, Farm Dutch
	1	432 2650-56	Instruction plate	Plaque instruction utilisation	3	Program 2G01 Dutch
	1	432 2650-57	Instruction plate	Plaque instruction utilisation	3	Program 2L01 Dutch
	1	432 2650-58	Instruction plate	Plaque instruction utilisation	3	Program 2L02, Mench Dutch
	1	432 2650-59	Instruction plate	Plaque instruction utilisation	3	Program 2R01, QSR Dutch
	1	432 2650-60	Instruction plate	Plaque instruction utilisation	3	Program 2W01, Aqua Clean Dutch
	1	432 2650-61	Instruction plate	Plaque instruction utilisation	3	Program 2L12, Nyborg Dutch
	1	432 2650-62	Instruction plate	Plaque instruction utilisation	3	Program 2F01, Farm Danish
	1	432 2650-63	Instruction plate	Plaque instruction utilisation	3	Program 2G01 Danish
	1	432 2650-64	Instruction plate	Plaque instruction utilisation	3	Program 2L01 Danish
	1	432 2650-65	Instruction plate	Plaque instruction utilisation	3	Program 2R01, QSR Danish
	1	432 2650-66	Instruction plate	Plaque instruction utilisation	3	Program 2W01, Aqua Clean Danish
	1	432 2650-67	Instruction plate	Plaque instruction utilisation	3	Program 2A01 Finnish
	1	432 2650-68	Instruction plate	Plaque instruction utilisation	3	Program 2F01, Farm Finnish
	1	432 2650-69	Instruction plate	Plaque instruction utilisation	3	Program 2G01 Finnish
	1	432 2650-70	Instruction plate	Plaque instruction utilisation	3	Program 2L01 Finnish
	1	432 2650-71	Instruction plate	Plaque instruction utilisation	3	Program 2M11, Mop Finnish
	1	432 2650-72	Instruction plate	Plaque instruction utilisation	3	Program R01 Finnish
	1	432 2650-73	Instruction plate	Plaque instruction utilisation	3	Program 2W01, Aqua Clean Finnish
	1	432 2650-74	Instruction plate	Plaque instruction utilisation	3	Program 2A01 Norwegian
	1	432 2650-75	Instruction plate	Plaque instruction utilisation	3	Program 2F01, Farm Norwegian



Issue	Month	Year
01	12	01

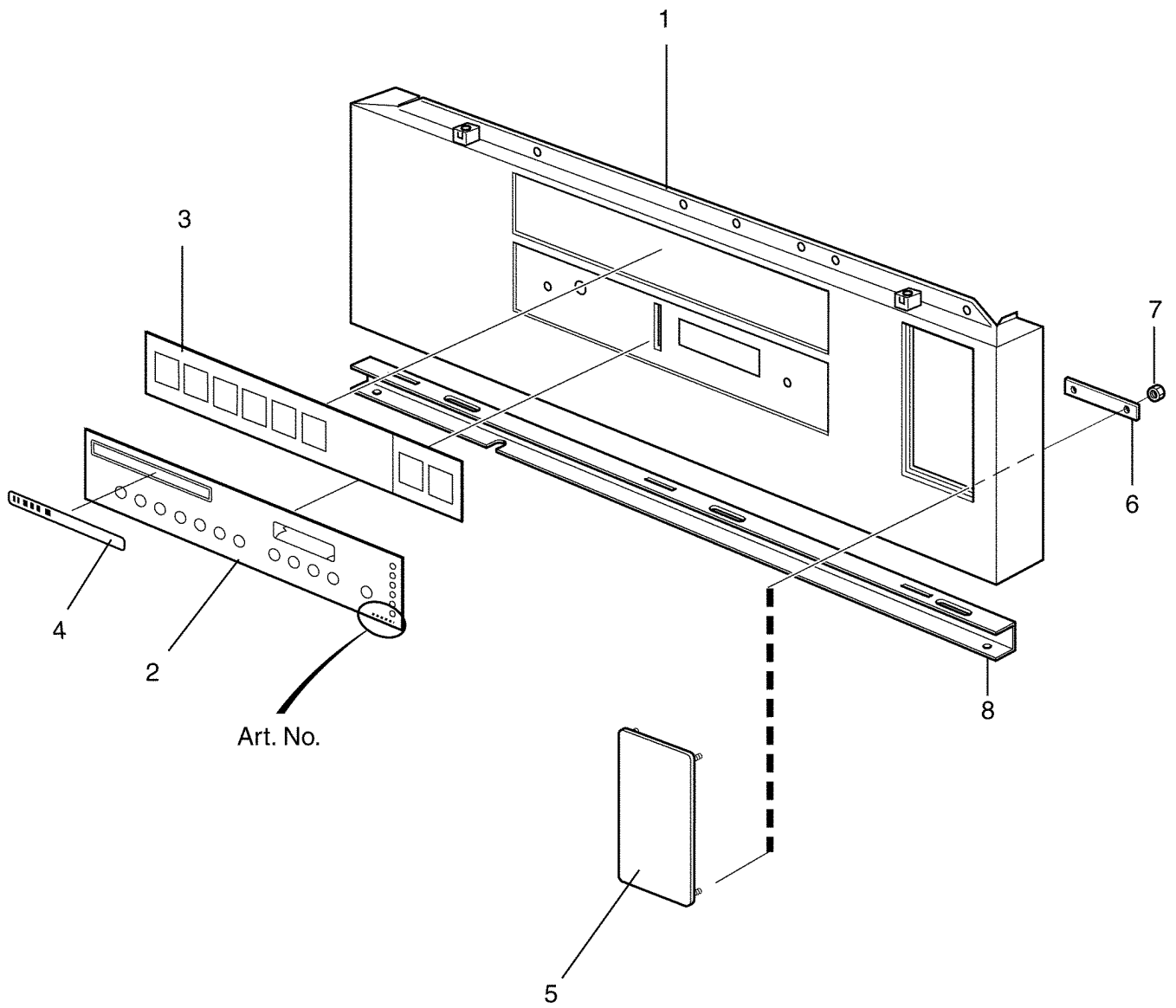
E675,W675,W675c,W675s

Control panel Exacta

Pupitre de commande Exacta

Illustration Issue Month Year
Schéma Issue Month Year
102111/1 2 5 2004

Item Article	Qua. Qua.	Art.No Réf. article	Description	Description	Info Info	Notes Remarques
	1	432 2650-76	Instruction plate	Plaque instruction utilisation	3	Program 2G01 Norwegian
	1	432 2650-77	Instruction plate	Plaque instruction utilisation	3	Program 2L01 Norwegian
	1	432 2650-78	Instruction plate	Plaque instruction utilisation	3	Program 2M11, Mop Norwegian
	1	432 2650-79	Instruction plate	Plaque instruction utilisation	3	Program 2R01, QSR Norwegian
	1	432 2650-80	Instruction plate	Plaque instruction utilisation	3	Program 2W01, Aqua Clean Norwegian
	1	432 2650-81	Instruction plate	Plaque instruction utilisation	3	Program 2L12, Nyborg Norwegian
	1	432 2650-82	Instruction plate	Plaque instruction utilisation	3	Program 2F01 Polish
	1	432 2650-83	Instruction plate	Plaque instruction utilisation	3	Program 2G01 Polish
	1	432 2650-84	Instruction plate	Plaque instruction utilisation	3	Program 2L01 Polish
	1	432 2650-85	Instruction plate	Plaque instruction utilisation	3	Program 2R01, QSR Polish
	1	432 2650-86	Instruction plate	Plaque instruction utilisation	3	Program 2W01, Aqua Clean Polish
	1	432 2650-87	Instruction plate	Plaque instruction utilisation	3	Program 2L12, Nyborg Polish
	1	432 2650-88	Instruction plate	Plaque instruction utilisation	3	Program 2L31, Emerald Spanish
	1	432 2650-89	Instruction plate	Plaque instruction utilisation	3	Program 2S01, Selecta Spanish
	1	432 2650-90	Instruction plate	Plaque instruction utilisation	3	Program 2L31, Emerald French
	1	432 2650-91	Instruction plate	Plaque instruction utilisation	3	Program 2S01, Selecta French
	1	432 2650-92	Instruction plate	Plaque instruction utilisation	3	Program 2L01 Italian, English
	1	432 2650-93	Instruction plate	Plaque instruction utilisation	3	Program 2A11 Mats/heavy laundry, Swedish
	1	432 2650-94	Instruction plate	Plaque instruction utilisation	3	Program 2A11 Mats/heavy laundry, Danish
	1	432 2650-95	Instruction plate	Plaque instruction utilisation	3	Program 2A11 Mats/heavy laundry, Norwegian
	1	432 2650-96	Instruction plate	Plaque instruction utilisation	3	Program 2A11 Mats/heavy laundry, Finnish
	1	432 2650-97	Instruction plate	Plaque instruction utilisation	3	Program 2F02, Westfalla Swedish
	1	432 2650-98	Instruction plate	Plaque instruction utilisation	3	Program 2H11 Finnish/Swedish
	1	432 2652-06	Instruction plate	Plaque instruction utilisation	3	Program 2G01 Swedish
	1	432 2652-07	Instruction plate	Plaque instruction utilisation	3	Program 2G01 English
	1	432 2652-08	Instruction plate	Plaque instruction utilisation	3	Program 2L01 English
	1	432 2652-09	Instruction plate	Plaque instruction utilisation	3	Program 2G01 German
	1	432 2652-10	Instruction plate	Plaque instruction utilisation	3	Program 2L01 German
	1	432 2652-11	Instruction plate	Plaque instruction utilisation	3	Program 2L12 German
	1	432 2652-12	Instruction plate	Plaque instruction utilisation	3	Program 2G01 French
	1	432 2652-13	Instruction plate	Plaque instruction utilisation	3	Program 2L01 French
	1	432 2652-14	Instruction plate	Plaque instruction utilisation	3	Program 2L12 French
	1	432 2652-15	Instruction plate	Plaque instruction utilisation	3	Program 2G01 Italian
	1	432 2652-16	Instruction plate	Plaque instruction utilisation	3	Program 2L12 Italian
	1	432 2652-17	Instruction plate	Plaque instruction utilisation	3	Program 2G01 Spanish
	1	432 2652-18	Instruction plate	Plaque instruction utilisation	3	Program 2L01 Spanish
	1	432 2652-19	Instruction plate	Plaque instruction utilisation	3	Program 2L12 Spanish
	1	432 2652-20	Instruction plate	Plaque instruction utilisation	3	Program 2G01 Dutch
	1	432 2652-21	Instruction plate	Plaque instruction utilisation	3	Program 2L01 Dutch
	1	432 2652-22	Instruction plate	Plaque instruction utilisation	3	Program 2L12 Dutch
	1	432 2652-23	Instruction plate	Plaque instruction utilisation	3	Program 2A01 Danish
	1	432 2652-24	Instruction plate	Plaque instruction utilisation	3	Program 2G01 Danish
	1	432 2652-25	Instruction plate	Plaque instruction utilisation	3	Program 2L01 Danish
	1	432 2652-26	Instruction plate	Plaque instruction utilisation	3	Program 2H21 Danish
	1	432 2652-27	Instruction plate	Plaque instruction utilisation	3	Program 2A01 Finnish



Issue	Month	Year
01	12	01

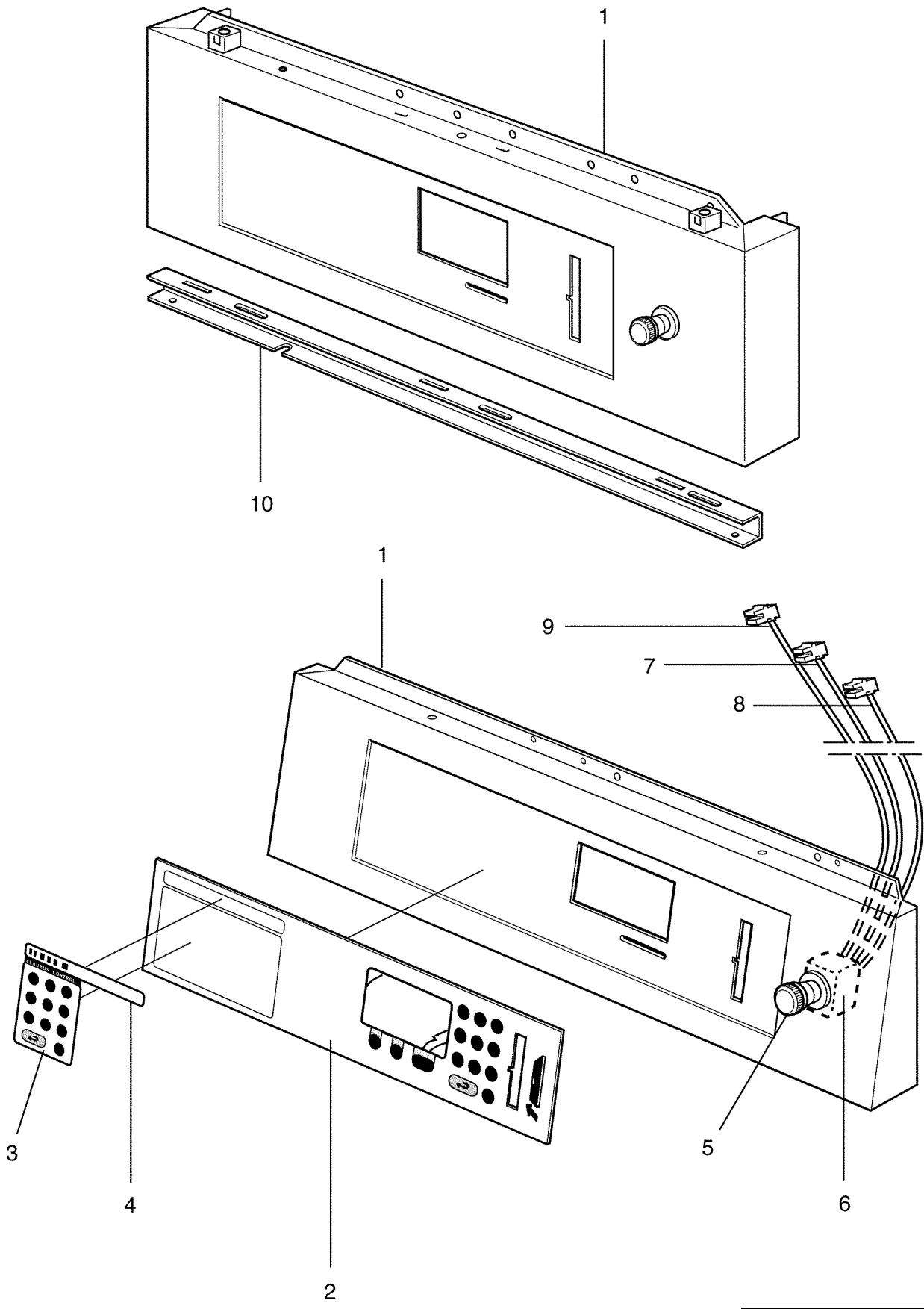
E675,W675,W675c,W675s

Control panel Exacta

Pupitre de commande Exacta

Illustration Issue Month Year
Schéma Issue Month Year
102111/1 2 5 2004

Item Article	Qua. Qua.	Art.No Réf. article	Description	Description	Info Info	Notes Remarques
	1	432 2652-28	Instruction plate	Plaque instruction utilisation	3	Program 2G01 Finnish
	1	432 2652-29	Instruction plate	Plaque instruction utilisation	3	Program 2L01 Finnish
	1	432 2652-30	Instruction plate	Plaque instruction utilisation	3	Program 2A01 Norwegian
	1	432 2652-31	Instruction plate	Plaque instruction utilisation	3	Program 2G01 Norwegian
	1	432 2652-32	Instruction plate	Plaque instruction utilisation	3	Program 2L01 Norwegian
	1	432 2652-33	Instruction plate	Plaque instruction utilisation	3	Program 2L12 Norwegian
	1	432 2652-34	Instruction plate	Plaque instruction utilisation	3	Program 2G01 Polish
	1	432 2652-35	Instruction plate	Plaque instruction utilisation	3	Program 2L01 Polish
	1	432 2652-36	Instruction plate	Plaque instruction utilisation	3	Program 2L12 Polish
	1	432 2652-37	Instruction plate	Plaque instruction utilisation	3	Program 2L01 Italian
	1	432 2652-38	Instruction plate	Plaque instruction utilisation	3	Program 2L11 German
	1	432 2652-39	Instruction plate	Plaque instruction utilisation	3	Program 2A01 Danish
	1	432 2652-40	Instruction plate	Plaque instruction utilisation	3	Program 2A01 Swedish
	1	432 2652-41	Instruction plate	Plaque instruction utilisation	3	Program 2L01 English
4	1	432 2605-20	Type plate	Numéro série plaque	3	W3330N
	1	432 2605-15	Type plate	Numéro série plaque	3	E675 SuperGiant
	1	432 2605-16	Type plate	Numéro série plaque	3	W675s SuperGiant
5	1	432 2150-01	Cover plate	Couvercle	3	
6	2	432 2181-01	Bracket	Support de montage	3	
7	4	732 2112-01	Locking nut	Contre-écrou	3	M4
8	1	432 2138-01	Bracket	Pupitre	3	



Issue	Month	Year
02	09	03

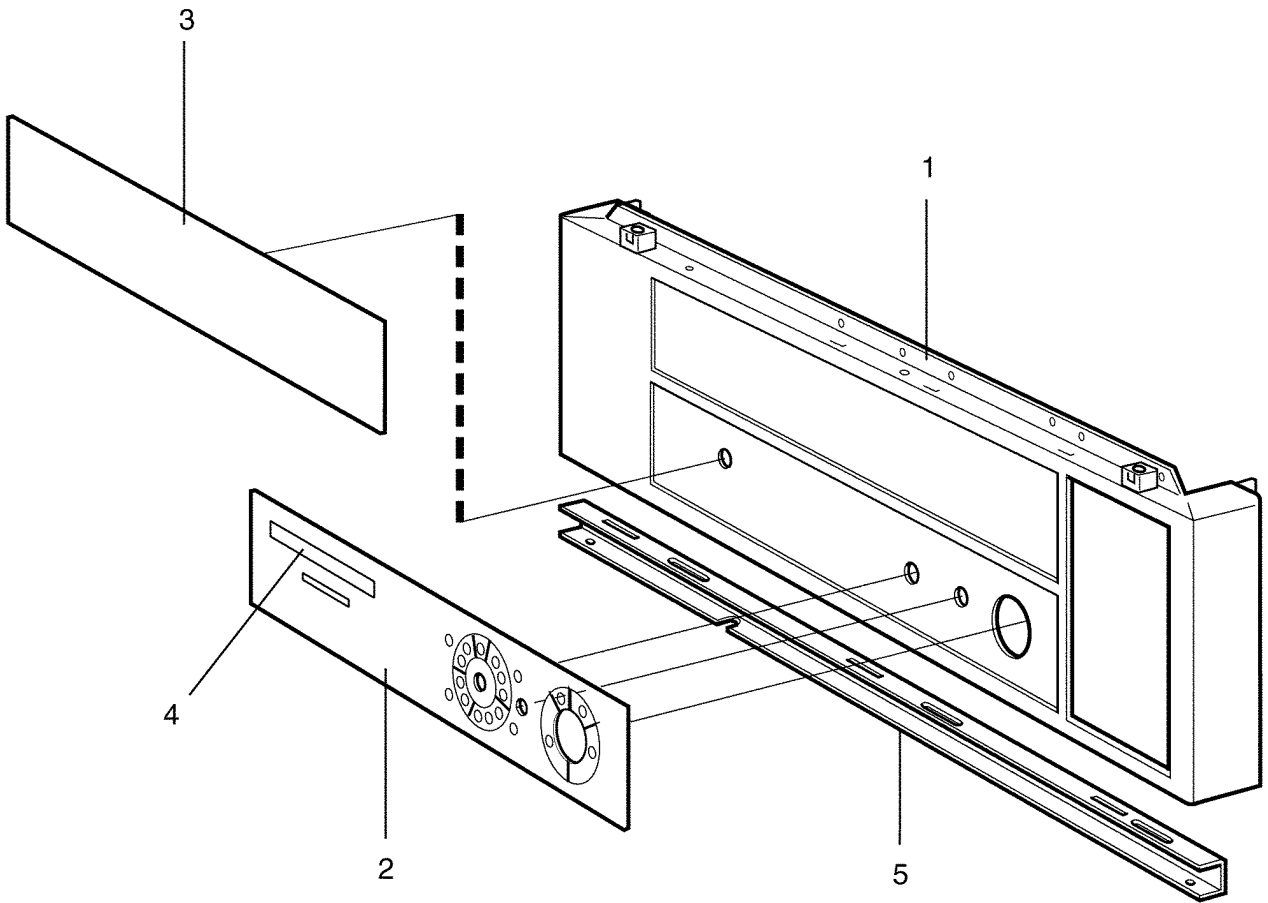
E675,W675,W675c,W675s

Control panel Clarus

Pupitre de commande Clarus

Illustration Issue Month Year
Schéma Issue Month Year
101770/2 5 9 2004

Item Article	Qua. Qua.	Art.No Réf. article	Description	Description	Info Info	Notes Remarques
1	1	432 2024-01	Front panel	Panneau avant	3	
2	1	432 2750-01	Control panel	Pupitre de commande	1,2	
3	1	432 2630-01	Instruction plate	Plaque instruction utilisation	3	Swedish
	1	432 2630-02	Instruction plate	Plaque instruction utilisation	3	English, Italian
	1	432 2630-03	Instruction plate	Plaque instruction utilisation	3	Japanese
	1	432 2630-04	Instruction plate	Plaque instruction utilisation	3	German
	1	432 2630-02	Instruction plate	Plaque instruction utilisation	3	English, Italian
	1	432 2630-06	Instruction plate	Plaque instruction utilisation	3	Danish
	1	432 2630-02	Instruction plate	Plaque instruction utilisation	3	English, Italian
	1	432 2630-06	Instruction plate	Plaque instruction utilisation	3	Danish
	1	432 2630-09	Instruction plate	Plaque instruction utilisation	3	Spanish
	1	432 2630-10	Instruction plate	Plaque instruction utilisation	3	Polish
4	1	432 2605-20	Type plate	Numéro série plaque	3	W3330N
	1	432 2605-13	Type plate	Numéro série plaque	3	W675c SuperGiant
5	1	471 9628-32	Emergency stop	Arrêt d'urgence	1,2	
6	1	471 9628-33	Contact block	Bloc de connexion	1,2	
7	1	432 3182-61	Cable set	Jeu de câbles	3	-795/4624
	1	432 3192-61	Cable set	Jeu de câbles	3	795/4625-
8	1	432 3182-72	Cable set	Jeu de câbles	3	-795/4624
	1	432 3192-72	Cable set	Jeu de câbles	3	795/4625-
9	1	432 3182-78	Cable set	Jeu de câbles	3	-795/4624
	1	432 3192-78	Cable set	Jeu de câbles	3	795/4625-
10	1	432 2138-01	Bracket	Pupitre	3	



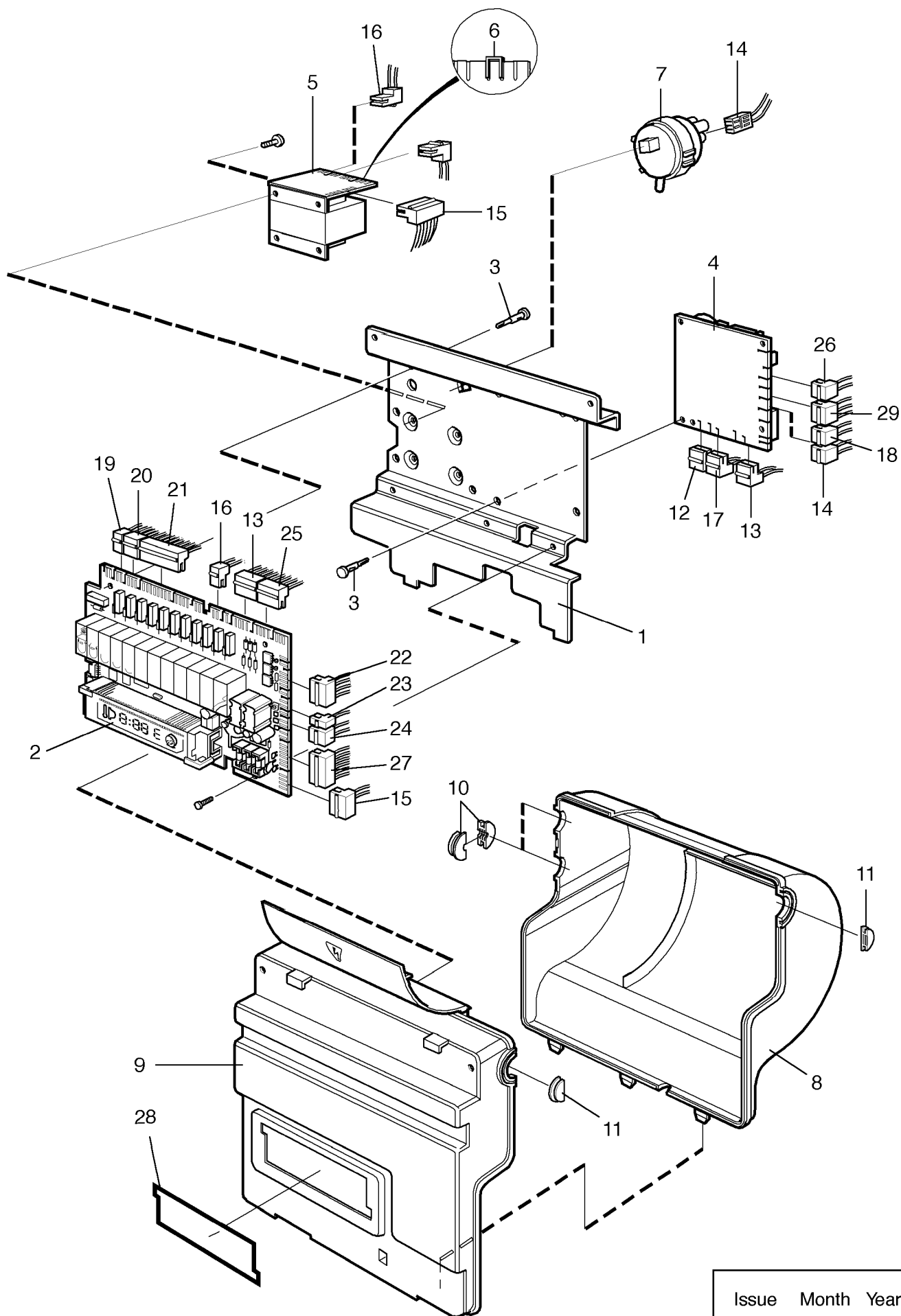
E675,W675,W675c,W675s

Control panel Classic

Pupitre de commande Classic

Illustration Issue Month Year
Schéma Issue Month Year
101949/3 5 5 2004

Item Article	Qua. Qua.	Art.No Réf. article	Description	Description	Info Info	Notes Remarques
1	1	432 2015-01	Front panel	Panneau avant	3	
2	1	432 2802-01	Panel sign	Voyant du tableau	1,2	OG01
	1	432 2802-40	Panel sign	Voyant du tableau	1,2	OL02
	1	432 2802-80	Panel sign	Voyant du tableau	1,2	OL03
3	1	432 2851-01	Instruction plate	Plaque instruction utilisation	3	OG01 English Without coin meter
	1	432 2851-02	Instruction plate	Plaque instruction utilisation	3	OG01 English With coin meter
	1	432 2851-04	Instruction plate	Plaque instruction utilisation	3	OG01 German Without coin meter
	1	432 2851-05	Instruction plate	Plaque instruction utilisation	3	OG01 German With coin meter
	1	432 2851-07	Instruction plate	Plaque instruction utilisation	3	OG01 Italian Without coin meter
	1	432 2851-08	Instruction plate	Plaque instruction utilisation	3	OG01 Italian With coin meter
	1	432 2851-10	Instruction plate	Plaque instruction utilisation	3	OG01 French Without coin meter
	1	432 2851-11	Instruction plate	Plaque instruction utilisation	3	OG01 French With coin meter
	1	432 2851-13	Instruction plate	Plaque instruction utilisation	3	OG01 Spanish Without coin meter
	1	432 2851-14	Instruction plate	Plaque instruction utilisation	3	OG01 Spanish With coin meter
	1	432 2851-16	Instruction plate	Plaque instruction utilisation	3	OG01 Dutch Without coin meter
	1	432 2851-17	Instruction plate	Plaque instruction utilisation	3	OG01 Dutch With coin meter
	1	432 2851-19	Instruction plate	Plaque instruction utilisation	3	OG01 Norwegian Without coin meter
	1	432 2851-25	Instruction plate	Plaque instruction utilisation	3	OG01 Polish WITHOUT COIN-METER
	1	432 2851-40	Instruction plate	Plaque instruction utilisation	3	OL02 English Without coin meter
	1	432 2851-41	Instruction plate	Plaque instruction utilisation	3	OL02 English With coin meter
	1	432 2851-43	Instruction plate	Plaque instruction utilisation	3	OL02 German Without coin meter
	1	432 2851-44	Instruction plate	Plaque instruction utilisation	3	OL02 German With coin meter
	1	432 2851-46	Instruction plate	Plaque instruction utilisation	3	OL02 Italian Without coin meter
	1	432 2851-47	Instruction plate	Plaque instruction utilisation	3	OL02 Italian With coin meter
	1	432 2851-49	Instruction plate	Plaque instruction utilisation	3	OL02 French Without coin meter
	1	432 2851-50	Instruction plate	Plaque instruction utilisation	3	OL02 French With coin meter
	1	432 2851-52	Instruction plate	Plaque instruction utilisation	3	OL02 Spanish Without coin meter
	1	432 2851-53	Instruction plate	Plaque instruction utilisation	3	OL02 Spanish With coin meter
	1	432 2851-54	Instruction plate	Plaque instruction utilisation	3	OL02 Dutch Without coin meter
	1	432 2851-55	Instruction plate	Plaque instruction utilisation	3	OL02 Dutch With coin meter
	1	432 2851-80	Instruction plate	Plaque instruction utilisation	3	OL03 English Without coin meter
	1	432 2851-81	Instruction plate	Plaque instruction utilisation	3	OL03 English With coin meter
	1	432 2851-85	Instruction plate	Plaque instruction utilisation	3	OL03 French Without coin meter
	1	432 2851-86	Instruction plate	Plaque instruction utilisation	3	OL03 French With coin meter
4	1	432 2605-20	Type plate	Numéro série plaque	3	W3330N
	1	432 2605-14	Type plate	Numéro série plaque	3	W675 SuperGiant
5	1	432 2138-01	Bracket	Pupitre	3	



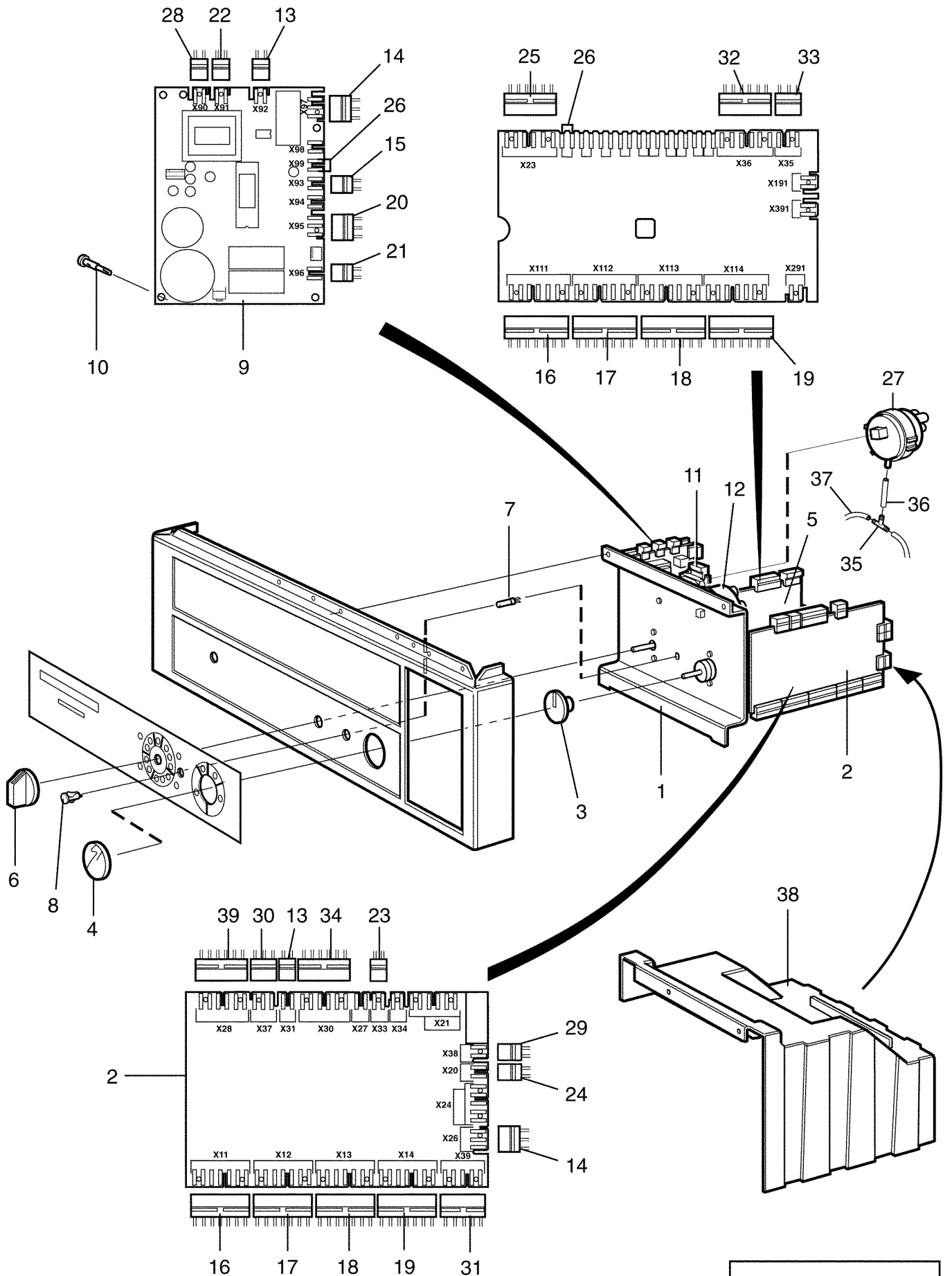
E675,W675,W675c,W675s

Electrical components Exacta

Composants électriques Exacta

Illustration Issue Month Year
Schéma Issue Month Year
102125/1 3 9 2004

Item Article	Qua. Qua.	Art.No Réf. article	Description	Description	Info Info	Notes Remarques
1	1	432 2167-01	Mounting plate	Plaque de montage	3	
2	1	471 8988-11	Printed circuit board	Circuit imprimé	1,2	
3	6	471 7958-02	Support	Support	3	
4	1	438 9555-11	Control unit	Organe de direction	1,2	230V
	1	438 9555-12	Control unit	Organe de direction	1,2	120V
5	1	471 9558-12	Transformer	Transformateur	1	
6	1	472 9913-43	Clamp	Bride de fixation	3	Kit 25 pcs
7	1	471 8861-01	Level guard	Limiteur de niveau	1,2	
8	1	432 3910-01	Protective cover	Couvercle de protection	3	Rear
9	1	432 3909-01	Protective cover	Couvercle de protection	3	Front
10	4	432 3907-01	Grommet	Oeillet	3	
11	2	432 3908-01	Grommet	Oeillet	3	
12	1	432 3082-47	Cable set	Jeu de câbles	3	X90-X45 -795/4624
	1	432 3092-47	Cable set	Jeu de câbles	3	795/4625-
13	1	432 3082-58	Cable set	Jeu de câbles	3	X31-X92 -795/4624
	1	432 3092-58	Cable set	Jeu de câbles	3	795/4625-
14	1	432 3182-94	Cable set	Jeu de câbles	3	X93 -795/4624
	1	432 3192-94	Cable set	Jeu de câbles	3	795/4625-
15	1	432 3087-05	Cable set	Jeu de câbles	3	X20-X172 -795/4624
	1	432 3097-05	Cable set	Jeu de câbles	3	795/4625-
16	1	432 3082-26	Cable set	Jeu de câbles	3	X33-X278 -795/4624
	1	432 3092-26	Cable set	Jeu de câbles	3	795/4625-
17	1	432 3082-42	Cable set	Jeu de câbles	3	X91-X178 -795/4624
	1	432 3092-42	Cable set	Jeu de câbles	3	795/4625-
18	1	432 3182-20	Cable set	Jeu de câbles	3	X94-X304 -795/4624
	1	432 3192-20	Cable set	Jeu de câbles	3	795/4625-
19	1	432 3082-51	Cable set	Jeu de câbles	3	X37-X302 -795/4624
	1	432 3092-51	Cable set	Jeu de câbles	3	795/4625-
20	1	432 3088-31	Cable set	Jeu de câbles	3	X36-X48 -795/4624
	1	432 3098-31	Cable set	Jeu de câbles	3	795/4625-
21	1	432 3087-31	Cable set	Ensemble de câbles	3	X35-X43 -795/4624
	1	432 3097-31	Cable set	Jeu de câbles	3	795/4625-
22	1	432 3184-03	Cable set	Jeu de câbles	3	X24-X301 -795/4624
	1	432 3194-03	Cable set	Jeu de câbles	3	795/4625-
23	1	432 3082-78	Cable set	Jeu de câbles	3	X23 -795/4624
	1	432 3092-78	Cable set	Jeu de câbles	3	795/4625-
24	1	432 3082-19	Cable set	Jeu de câbles	3	X22-X40 -795/4624
	1	432 3092-19	Cable set	Jeu de câbles	3	795/4625-
25	1	432 3086-93	Cable set	Jeu de câbles	3	X30 -795/4624
	1	432 3096-93	Cable set	Jeu de câbles	3	795/4625-
26	1	432 3082-89	Cable set	Jeu de câbles	3	X96 -795/4624
	1	432 3092-89	Cable set	Jeu de câbles	3	795/4625-
27	1	432 3086-10	Cable set	Jeu de câbles	3	X21 -795/4624
	1	432 3096-10	Cable set	Jeu de câbles	3	795/4625-
28						Not used
29	1	432 3083-36	Cable set	Jeu de câbles	3	X95 -795/4624
	1	432 3093-36	Cable set	Jeu de câbles	3	795/4625-



Issue	Month	Year
01	12	01

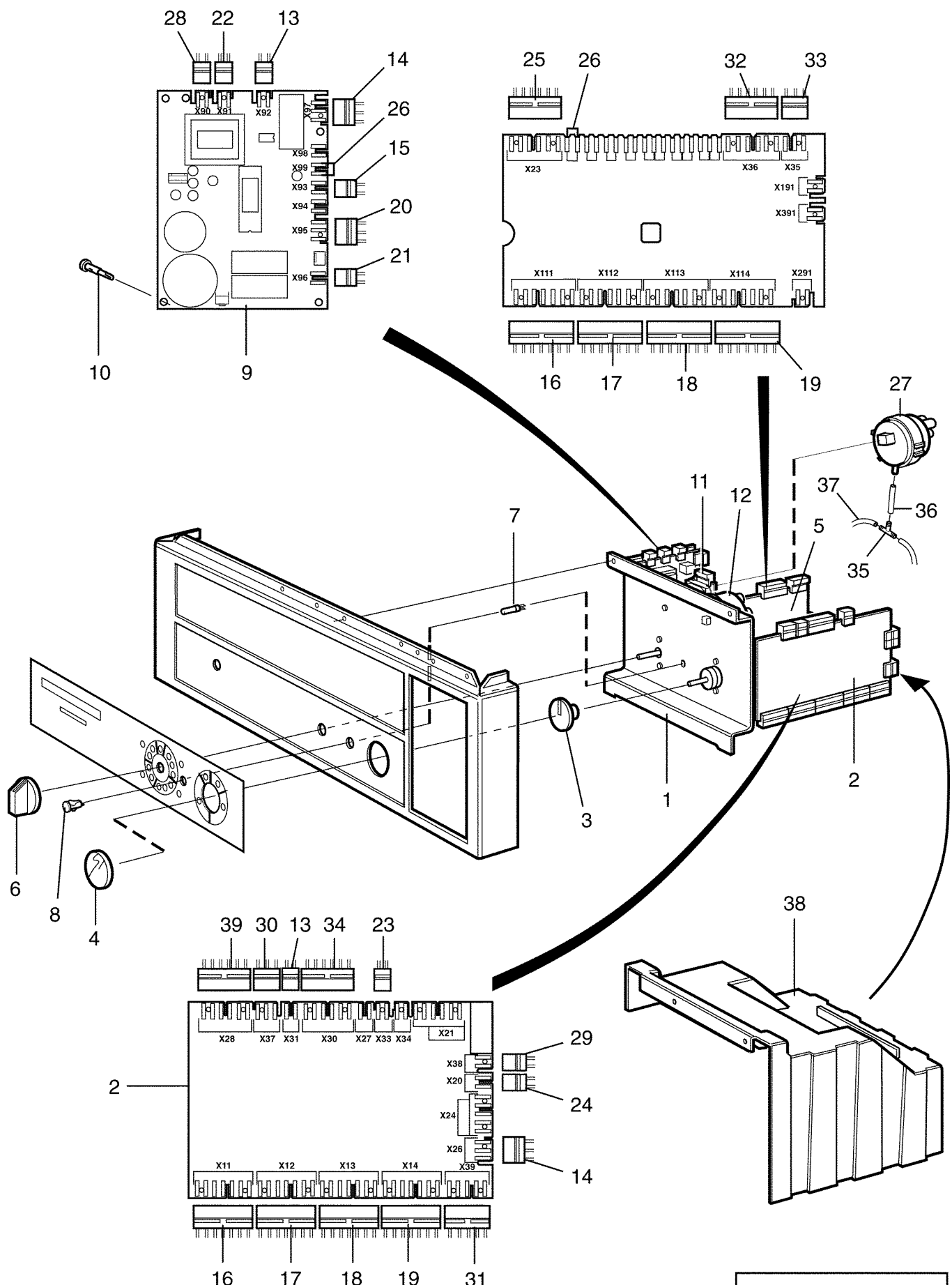
E675,W675,W675c,W675s

Electric components Classic OL02

Composants électriques Classic OL02

Illustration Issue Month Year
Schéma Issue Month Year
102118/1 1 12 2001

Item Article	Qua. Qua.	Art.No Réf. article	Description	Description	Info Info	Notes Remarques
1	1	432 2168-01	Mounting plate	Plaque de montage	3	
2	1	438 8981-03	Timer	Minuterie	1,2	230V 50Hz Complete
	1	438 8981-02	Timer	Minuterie	1,2	240V 60Hz Complete
	1	438 8981-01	Timer	Minuterie	1,2	110V 60Hz Complete
3	1	472 6082-02	Pointer	Indicateur	1,2	
4	1	438 0040-01	Safety glass	Verre de sécurité	3	
5	1	438 9644-01	Rotary switch	Commutateur rotatif	1,2	OL02 Complete
6	1	438 0076-02	Knob	Bouton de porte	1,2	
7	1	471 9652-02	Pilot lamp	Lampe témoin	1,2	230V
8	1	438 9650-01	Lens	Lentille	3	
9	1	438 9555-11	Control unit	Organe de direction	1,2	230V
	1	438 9555-12	Control unit	Organe de direction	1,2	120V
10	4	471 7958-02	Support	Support	3	
11	1	438 8803-01	Thermostat	Thermostat	1,2	
12	1	471 8859-14	Level guard	Limiteur de niveau	1,2	
13	1	432 3082-58	Cable set	Jeu de câbles	3	X31-X92 -795/4624
	1	432 3092-58	Cable set	Jeu de câbles	3	795/4625-
14	1	432 3083-13	Cable set	Jeu de câbles	3	X26-X97 -795/4624
	1	432 3093-13	Cable set	Jeu de câbles	3	795/4625-
15	1	432 3182-94	Cable set	Jeu de câbles	3	X93 -795/4624
	1	432 3192-94	Cable set	Jeu de câbles	3	795/4625-
16	1	432 3087-06	Cable set	Jeu de câbles	3	X11-X111 -795/4624
	1	432 3097-06	Cable set	Jeu de câbles	3	795/4625-
17	1	432 3087-07	Cable set	Jeu de câbles	3	X12-X112 -795/4624
	1	432 3097-07	Cable set	Jeu de câbles	3	795/4625-
18	1	432 3087-08	Cable set	Jeu de câbles	3	X13-X113 -795/4624
	1	432 3097-08	Cable set	Jeu de câbles	3	795/4625-
19	1	432 3087-09	Cable set	Jeu de câbles	3	X14-X114 -795/4624
	1	432 3097-09	Cable set	Jeu de câbles	3	795/4625-
20	1	432 3083-36	Cable set	Jeu de câbles	3	X95-X195 -795/4624
	1	432 3093-36	Cable set	Jeu de câbles	3	795/4625-
21	1	432 3082-99	Cable set	Jeu de câbles	3	X96 -795/4624
	1	432 3092-99	Cable set	Jeu de câbles	3	795/4625-
22	1	432 3082-52	Cable set	Jeu de câbles	3	X91-X191 -795/4624
	1	432 3092-52	Cable set	Jeu de câbles	3	795/4625-
23	1	432 3082-53	Cable set	Jeu de câbles	3	X291-X33 -795/4624
	1	432 3092-53	Cable set	Jeu de câbles	3	795/4625-
24	1	432 3082-65	Cable set	Jeu de câbles	3	X20 -795/4624
	1	432 3092-65	Cable set	Jeu de câbles	3	795/4625-
25	1	432 3086-14	Cable set	Jeu de câbles	3	X23-X123 -795/4624
	1	432 3096-14	Cable set	Jeu de câbles	3	795/4625-
26	Rq	472 9913-43	Clamp	Bride de fixation	3	Kit 25 pcs
27	1	471 8861-01	Level guard	Limiteur de niveau	1,2	
28	1	432 3082-54	Cable set	Jeu de câbles	3	X90-X45 -795/4624
	1	432 3092-54	Cable set	Jeu de câbles	3	795/4625-
29	1	432 3082-46	Cable set	Jeu de câbles	3	X38-X42 -795/4624
	1	432 3092-46	Cable set	Jeu de câbles	3	795/4625-
30	1	432 3083-16	Cable set	Jeu de câbles	3	X37-X49 -795/4624
	1	432 3093-16	Cable set	Jeu de câbles	3	795/4625-
31	1	432 3085-31	Cable set	Jeu de câbles	3	X39-X43 -795/4624
	1	432 3095-31	Cable set	Jeu de câbles	3	795/4625-
32	1	432 3086-17	Cable set	Jeu de câbles	3	X36-X48 -795/4624
	1	432 3096-17	Cable set	Jeu de câbles	3	795/4625-
33	1	432 3083-82	Cable set	Jeu de câbles	3	X35-X47 -795/4624
	1	432 3093-82	Cable set	Jeu de câbles	3	795/4625-
34	1	432 3086-93	Cable set	Jeu de câbles	3	X30/11X5 -795/4624
	1	432 3096-93	Cable set	Jeu de câbles	3	795/4625-
35	1	471 2265-69	T-pipe	Tube en T	3	
36	1	471 2440-36	Hose	Flexible	1	L=90



Issue	Month	Year
01	12	01

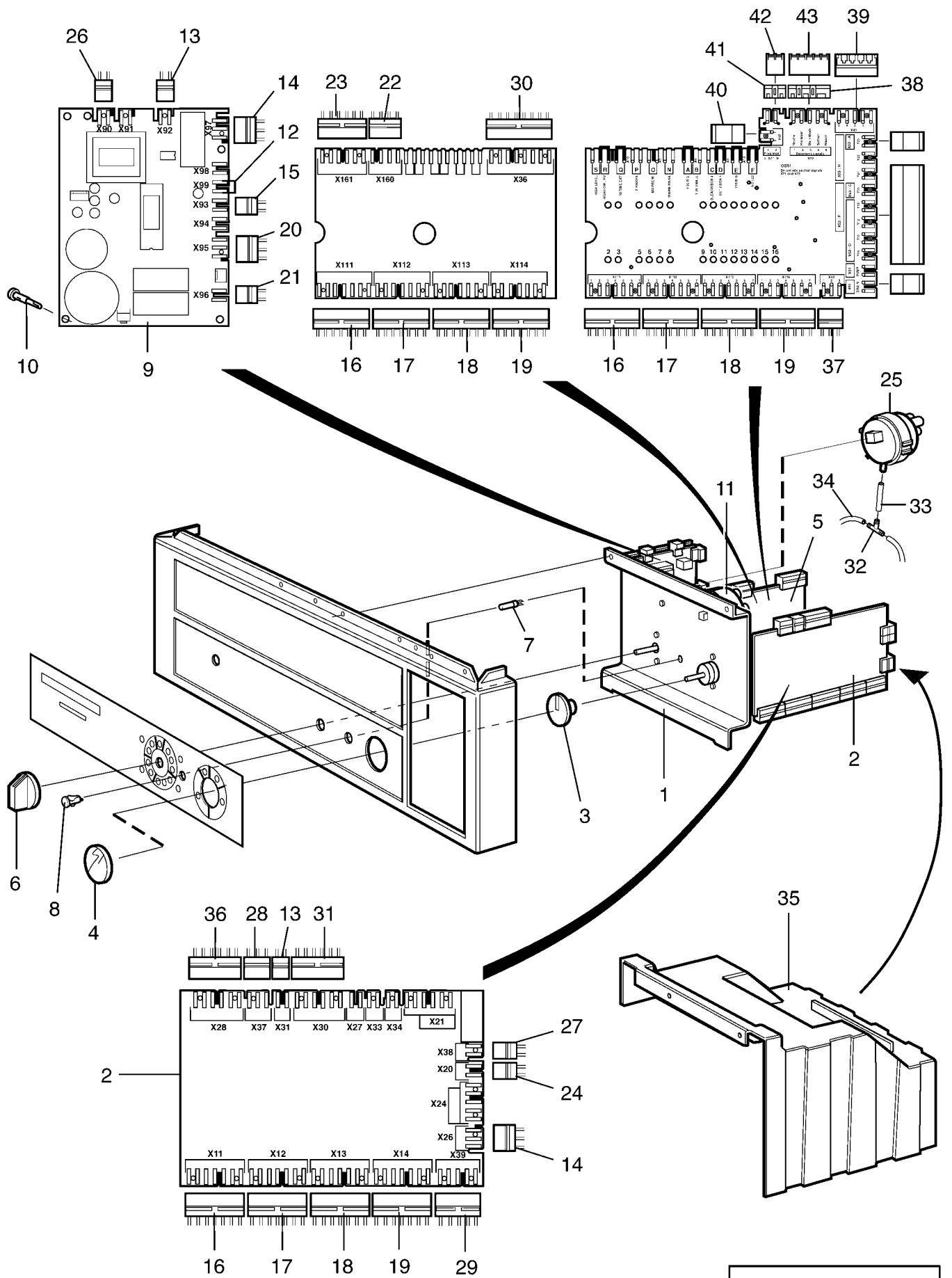
E675,W675,W675c,W675s

Electric components Classic OL02

Composants électriques Classic OL02

Illustration	Issue	Month	Year
Schéma	Issue	Month	Year
102118/1	1	12	2001

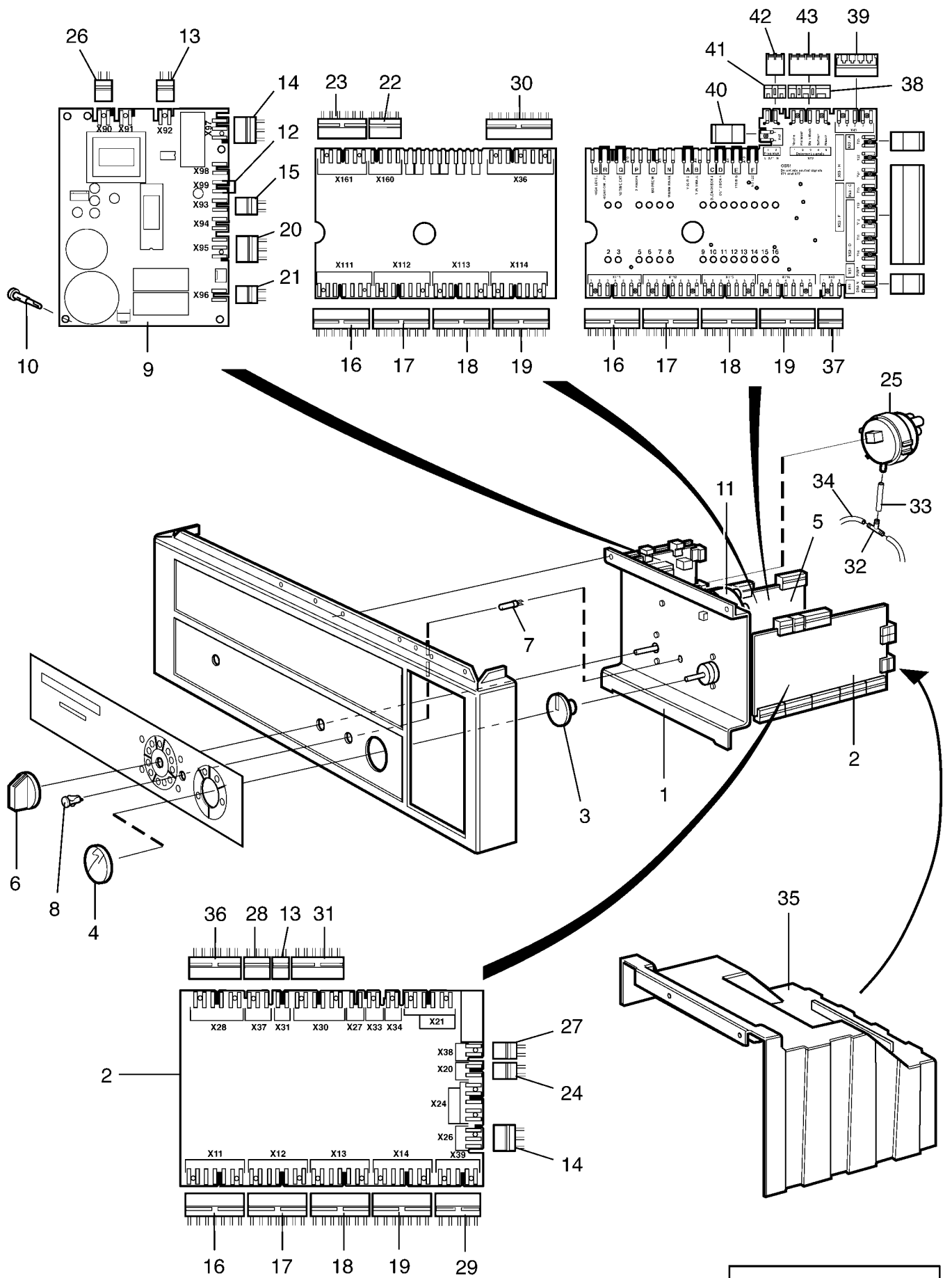
Item Article	Qua. Qua.	Art.No Réf. article	Description	Description	Info Info	Notes Remarques
37	1	471 2464-18	Hose	Flexible	1	L=280
38	1	432 2171-01	Protective cover	Couvercle de protection	3	
39	1	432 3086-94	Cable set	Jeu de câbles	3	X28 -795/4624
	1	432 3096-94	Cable set	Jeu de câbles	3	795/4625-



E675,W675,W675c,W675s**Electric components Classic OL03****Composants électriques Classic OL03**

Illustration	Issue	Month	Year
Schéma	Issue	Month	Year
102119/1	2	6	2005

Item	Qua.	Art.No	Description	Description	Info	Notes
Article	Qua.	Réf. article			Info	Remarques
1	1	432 2168-01	Mounting plate	Plaque de montage	3	
2	1	438 8981-03	Timer	Minuterie	1,2	230V 50Hz Complete
	1	438 8981-02	Timer	Minuterie	1,2	240V 60Hz Complete
	1	438 8981-01	Timer	Minuterie	1,2	110V 60Hz Complete
3	1	472 6082-02	Pointer	Indicateur	1,2	
4	1	438 0040-01	Safety glass	Verre de sécurité	3	
5	1	438 9645-01	Rotary switch	Commutateur rotatif	1,2	OL03 Complete -795/6075
	1	438 9642-01	Rotary switch	Commutateur rotatif	1,2	795/6076-
6	1	438 0076-02	Knob	Bouton de porte	1,2	
7	1	471 9652-02	Pilot lamp	Lampe témoin	1,2	230V
	1	471 9652-01	Pilot lamp	Lampe témoin	1,2	110V
8	1	438 9650-01	Lens	Lentille	3	
9	1	438 9555-11	Control unit	Organe de direction	1,2	230V
	1	438 9555-12	Control unit	Organe de direction	1,2	120V
10	4	471 7958-02	Support	Support	3	
11	1	471 8859-14	Level guard	Limiteur de niveau	1,2	
12	Er	472 9913-43	Clamp	Bride de fixation	3	Kit 25 pcs
13	1	432 3082-58	Cable set	Jeu de câbles	3	X31-X92 -795/4624
	1	432 3092-58	Cable set	Jeu de câbles	3	795/4625-
14	1	432 3083-13	Cable set	Jeu de câbles	3	X26-X97 -795/4624
	1	432 3093-13	Cable set	Jeu de câbles	3	795/4625-
15	1	432 3182-94	Cable set	Jeu de câbles	3	X93 -795/4624
	1	432 3192-94	Cable set	Jeu de câbles	3	795/4625-
16	1	432 3087-06	Cable set	Jeu de câbles	3	X11-X111 -795/4624
	1	432 3097-06	Cable set	Jeu de câbles	3	795/4625-
17	1	432 3087-07	Cable set	Jeu de câbles	3	X12-X112 -795/4624
	1	432 3097-07	Cable set	Jeu de câbles	3	795/4625-
18	1	432 3087-08	Cable set	Jeu de câbles	3	X13-X113 -795/4624
	1	432 3097-08	Cable set	Jeu de câbles	3	795/4625-
19	1	432 3087-09	Cable set	Jeu de câbles	3	X14-X114 -795/4624
	1	432 3097-09	Cable set	Jeu de câbles	3	795/4625-
20	1	432 3083-36	Cable set	Jeu de câbles	3	X95-X195 -795/4624
	1	432 3093-36	Cable set	Jeu de câbles	3	795/4625-
21	1	432 3082-99	Cable set	Jeu de câbles	3	X96 -795/4624
	1	432 3092-99	Cable set	Jeu de câbles	3	795/4625-
22	1	432 3084-29	Cable set	Jeu de câbles	3	X160-X260 -795/4624
	1	432 3094-29	Cable set	Jeu de câbles	3	795/4625-6075
23	1	432 3086-13	Cable set	Jeu de câbles	3	X161-X261 795/4625-6075
	1	432 3096-13	Cable set	Jeu de câbles	3	795/4625-
24	1	432 3082-65	Cable set	Jeu de câbles	3	X20 -795/4624
	1	432 3092-65	Cable set	Jeu de câbles	3	795/4625-
25	1	471 8861-01	Level guard	Limiteur de niveau	1,2	
26	1	432 3082-54	Cable set	Jeu de câbles	3	X90-X45 -795/4624
	1	432 3092-54	Cable set	Jeu de câbles	3	795/4625-
27	1	432 3082-46	Cable set	Jeu de câbles	3	X38-X42 -795/4624
	1	432 3082-46	Cable set	Jeu de câbles	3	795/4625-
28	1	432 3083-16	Cable set	Jeu de câbles	3	X37-X49 -795/4624
	1	432 3093-16	Cable set	Jeu de câbles	3	795/4625-
29	1	432 3085-31	Cable set	Jeu de câbles	3	X39-X43 -795/4624
	1	432 3095-31	Cable set	Jeu de câbles	3	795/4625-
30	1	432 3088-31	Cable set	Jeu de câbles	3	X36-X48 -795/4624
	1	432 3098-31	Cable set	Jeu de câbles	3	795/4625-6075
31	1	432 3086-93	Cable set	Jeu de câbles	3	X30/11X5 -795/4624
	1	432 3096-93	Cable set	Jeu de câbles	3	795/4625-
32	1	471 2265-69	T-pipe	Tube en T	3	
33	1	471 2440-36	Hose	Flexible	1	L=90
34	1	471 2464-18	Hose	Flexible	1	L=280
35	1	432 2171-01	Protective cover	Couvercle de protection	3	
36	1	432 3086-94	Cable set	Jeu de câbles	3	X28 -795/4624



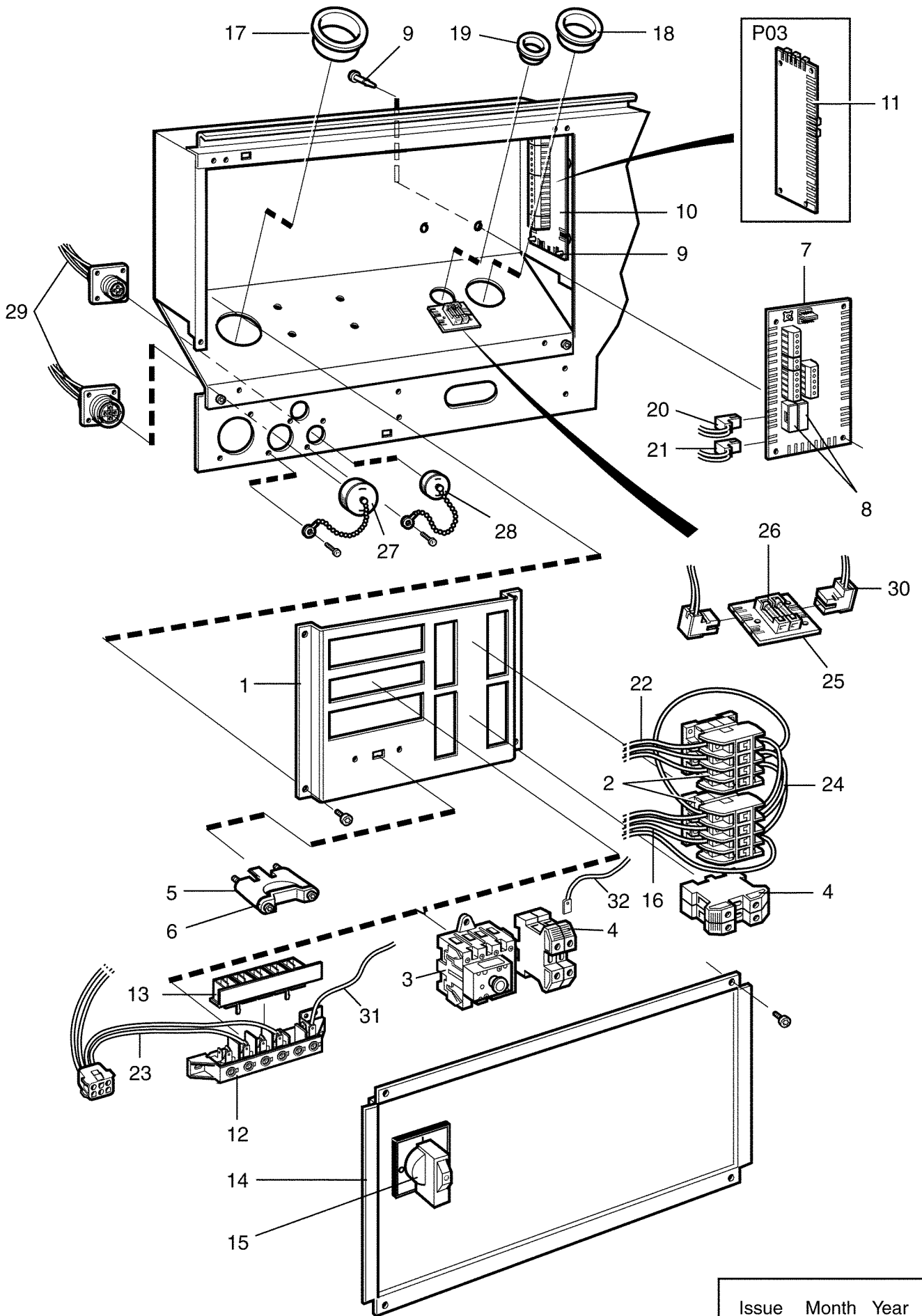
E675,W675,W675c,W675s

Electric components Classic OL03

Composants électriques Classic OL03

Illustration	Issue	Month	Year
Schéma	Issue	Month	Year
102119/1	2	6	2005

Item Article	Qua. Qua.	Art.No Réf. article	Description	Description	Info Info	Notes Remarques
	1	432 3096-94	Cable set	Jeu de câbles	3	795/4625-
37	1	432 3093-01	Cable set	Jeu de câbles	3	795/6076-
38	1	438 8701-06	Multistik	Multi-grippe	1	795/6076-
39	1	432 3093-01	Cable set	Jeu de câbles	3	795/6076-
40	1	432 3095-05	Cable set	Jeu de câbles	3	795/6076-
41	1	438 8701-04	Frame	Châssis	3	795/6076-
42	1	438 8701-03	Multistik	Multi-grippe	1	795/6076-
43	1	438 8701-05	Multistik	Multi-grippe	1	795/6076-



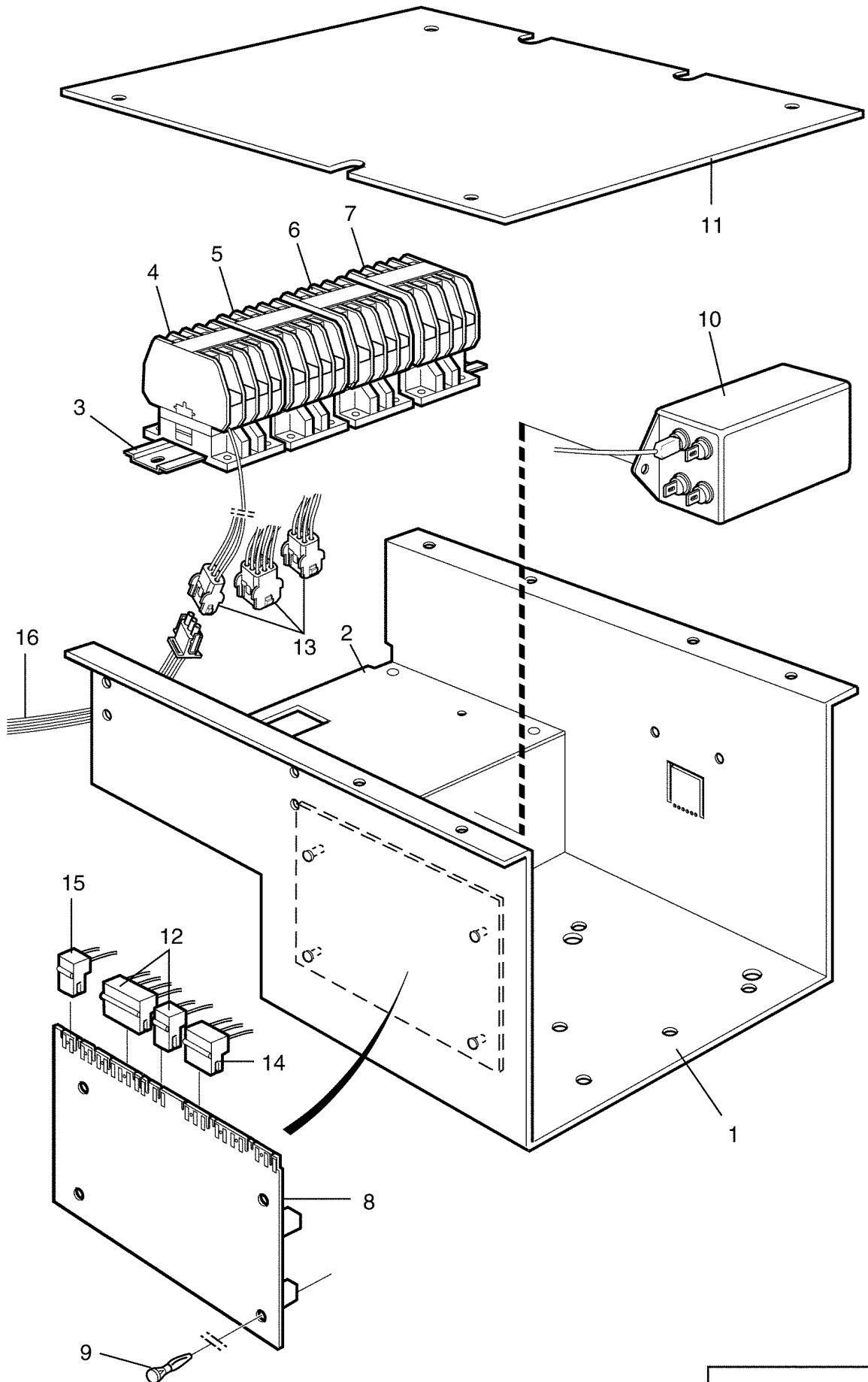
Issue	Month	Year
01	12	01

E675,W675,W675c,W675s**Electric components connection**

Illustration	Issue	Month	Year
Schéma	Issue	Month	Year
102121/1	5	2	2006

Composants électriques raccordement électrique

Item Article	Qua. Qua.	Art.No Réf. article	Description	Description	Info Info	Notes Remarques
1	1	432 2154-01	Mounting plate	Plaque de montage	3	
2	2	438 9636-22	Contacteur	Relais	1,2	50Hz
	2	438 9636-23	Contacteur	Relais	1,2	60Hz
3	1	438 9670-02	Main switch	Main switch	1,2	3-pole, 40A
	1	438 9678-04	Main switch	Main switch	1	3-pole, 70A
	1	438 9678-12	Main switch	Main switch	1	4-pole, 40A
	1	438 9678-14	Main switch	Main switch	1	4-pole, 70A
4	2	471 8767-01	Block	Cale	3	SL10
5	1	471 7859-12	Clamp	Attache	3	Lower part
6	1	471 7859-16	Clamp	Attache	3	Upper part
7	1	438 8785-02	Printed circuit board	Circuit imprimé	1,2	Exacta
	1	438 8786-02	Printed circuit board	Circuit imprimé	1,2	Clarus
	1	438 8788-01	Printed circuit board	Circuit imprimé	1,2	Classic OG01, OL02
8	2	471 8750-11	•Fuse	•Porte-fusible	1,2	1,25A
9	Rq	471 7958-02	Support	Support	3	
10	1	438 8787-01	Printed circuit board	Circuit imprimé	1,2	Clarus
11	1	438 8789-01	Printed circuit board	Circuit imprimé	1,2	Classic OL03
12	1	471 8759-01	Block	Cale	3	
13	1	471 8759-51	Cover	Couvercle	3	
14	1	432 2156-11	Cover	Couvercle	3	With hole
	1	432 2156-12	Cover	Couvercle	3	Without hole
15	1	471 9678-94	Knob	Bouton de porte	1	
16	3	432 2954-03	Cable set	Jeu de câbles	3	
	3	432 2954-04	Cable set	Jeu de câbles	3	200-240V
17	1	762 1215-10	Grommet	Oeillet	3	Ø48/35mm
18	1	762 1215-10	Grommet	Oeillet	3	Ø48/35mm
19	1	762 1182-10	Grommet	Oeillet	3	Ø22,2MM
20	1	432 3082-86	Cable set	Jeu de câbles	3	X44-L1, N/L2 -795/4624
	1	432 3092-86	Cable set	Jeu de câbles	3	795/4625-
21	1	432 3182-52	Cable set	Jeu de câbles	3	X46 -795/4624
	1	432 3192-52	Cable set	Jeu de câbles	3	795/4625-
22	3	432 2954-13	Cable set	Jeu de câbles	3	
	3	432 2954-14	Cable set	Jeu de câbles	3	
23	1	432 2986-01	Cable set	Jeu de câbles	3	-795/4624
	1	432 2996-01	Cable set	Jeu de câbles	3	795/4625-
24	2	432 2984-01	Cable set	Jeu de câbles	3	
25	1	438 8797-01	Printed circuit board	Circuit imprimé	1,2	
26	2	471 8750-11	•Fuse	•Porte-fusible	1,2	1,25A
27	1	438 7950-02	Cover washer	Rondelle protection	3	14-pole
28	1	438 7950-01	Cover washer	Rondelle protection	3	4-pole
29	1	432 2945-01	Cable set	Jeu de câbles	3	
30	1	432 3082-25	Cable set	Jeu de câbles	3	X44-X144 -795/4624
	1	432 3092-25	Cable set	Jeu de câbles	3	795/4625-
31	1	432 2982-02	Cable set	Jeu de câbles	3	Ground
32	1	432 2983-02	Cable set	Jeu de câbles	3	Ground



Issue	Month	Year
02	05	03

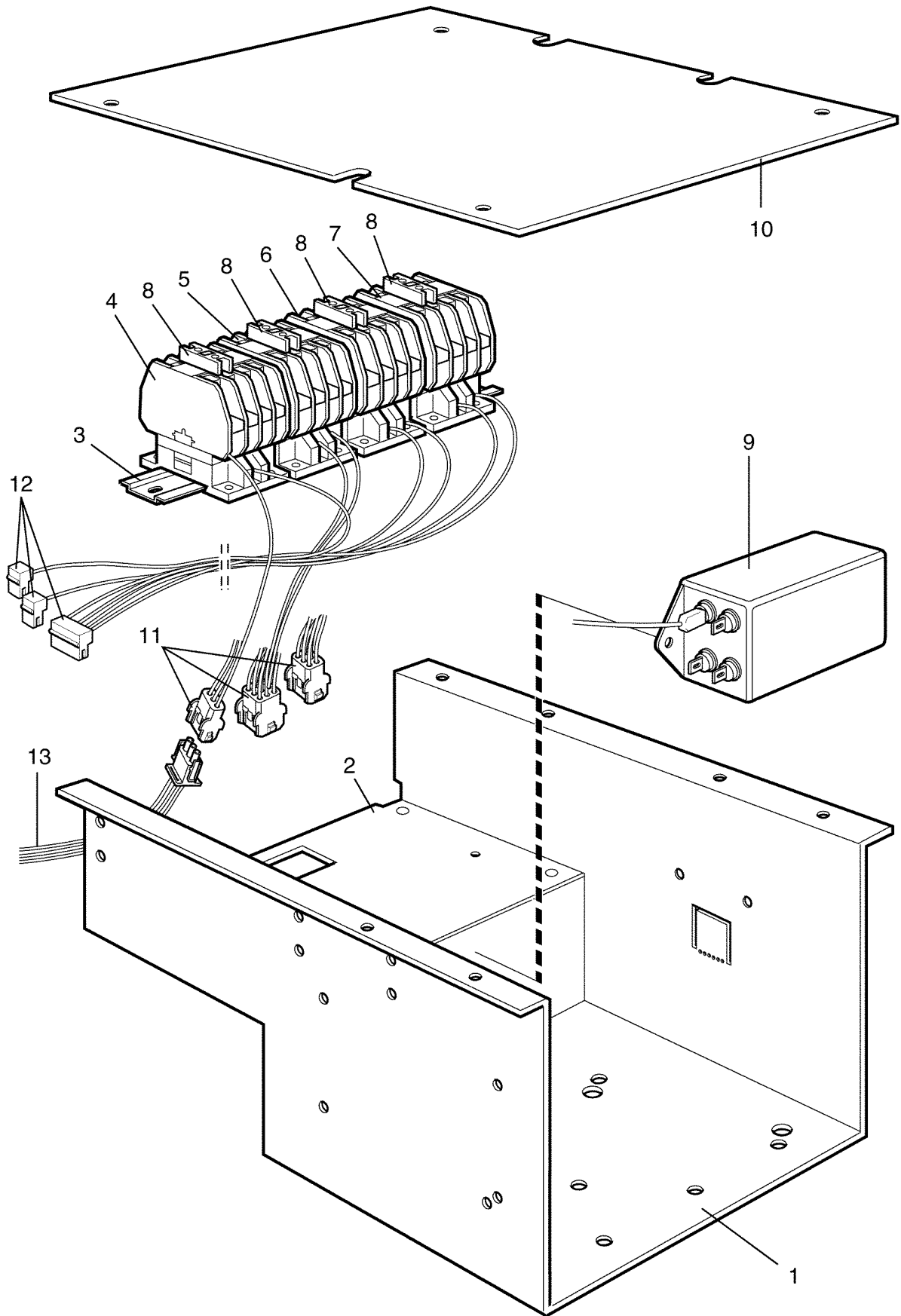
E675,W675,W675c,W675s

Electric components 3AC

Composants électriques 3AC

Illustration Issue Month Year
Schéma Issue Month Year
101988/2 2 5 2003

Item Article	Qua. Qua.	Art.No Réf. article	Description	Description	Info Info	Notes Remarques
1	1	432 2169-01	Component plate	Plaque composants	3	
2	1	432 2196-01	Mounting plate	Plaque d'assemblage	3	
3	1	471 7182-26	Rail	Support	3	
4	1	438 9636-02	Contacteur	Relais	1,2	50Hz
	1	438 9636-03	Contacteur	Relais	1,2	60Hz
5	1	438 9636-02	Contacteur	Relais	1,2	50Hz
	1	438 9636-03	Contacteur	Relais	1,2	60Hz
6	1	438 9636-02	Contacteur	Relais	1,2	50Hz
	1	438 9636-03	Contacteur	Relais	1,2	60Hz
7	1	438 9636-02	Contacteur	Relais	1,2	50Hz
	1	438 9636-03	Contacteur	Relais	1,2	60Hz
8	1	471 8992-13	Printed circuit board	Circuit imprimé	1,2	RDC
9	4	471 7958-02	Support	Support	3	
10	1	471 9529-05	LC-filter	Filtre LC	1	
11	1	432 2172-01	Cover	Couvercle	3	
12	1	432 2971-02	Cable set	Jeu de câbles	3	RDC -795/4624
	1	432 3071-02	Cable set	Jeu de câbles	3	795/4625-
13	1	432 2965-01	Cable set	Jeu de câbles	3	With filter
	1	432 2965-02	Cable set	Jeu de câbles	3	Without filter USA
14	1	432 3182-30	Cable set	Jeu de câbles	3	X97-X295 -795/4624
	1	432 3192-30	Cable set	Jeu de câbles	3	795/4625-
15	1	432 3082-37	Cable set	Jeu de câbles	3	X278-X45 -795/4624
	1	432 3092-37	Cable set	Jeu de câbles	3	795/4625-
16	1	432 2961-02	Cable set	Jeu de câbles	3	3AC X1-X311, Terminal block
	1	432 2961-01	Cable set	Jeu de câbles	3	3AC X1-X311, Main switch



Issue	Month	Year
02	05	03

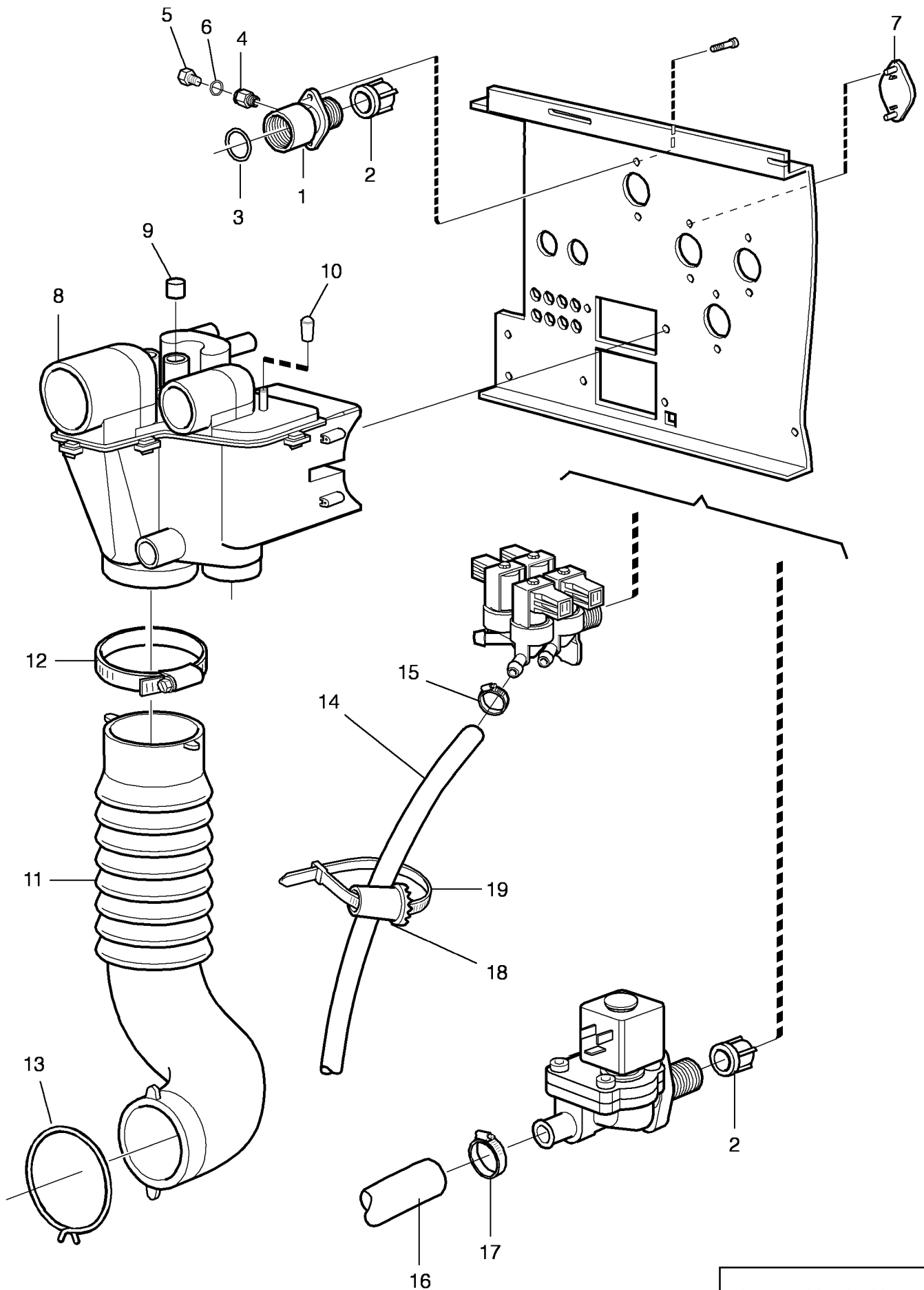
E675,W675,W675c,W675s

Electric components Classic 3AC

Composants électriques Classic 3AC

Illustration Issue Month Year
Schéma Issue Month Year
101989/2 2 5 2003

Item Article	Qua. Qua.	Art.No Réf. article	Description	Description	Info Info	Notes Remarques
1	1	432 2169-01	Component plate	Plaque composants	3	
2	1	432 2196-01	Mounting plate	Plaque d'assemblage	3	
3	1	471 7182-26	Rail	Support	3	
4	1	438 9636-02	Contactor	Relais	1,2	50Hz
	1	438 9636-03	Contactor	Relais	1,2	60Hz
5	1	438 9636-02	Contactor	Relais	1,2	50Hz
	1	438 9636-03	Contactor	Relais	1,2	60Hz
6	1	438 9636-02	Contactor	Relais	1,2	50Hz
	1	438 9636-03	Contactor	Relais	1,2	60Hz
7	1	438 9636-02	Contactor	Relais	1,2	50Hz
	1	438 9636-03	Contactor	Relais	1,2	60Hz
8	4	767 5101-92	Auxiliary contact	Contact de secours	1	HN10 Green
9	1	471 9529-05	LC-filter	Filtre LC	1	
10	1	432 2172-01	Cover	Couvercle	3	
11	1	432 2965-01	Cable set	Jeu de câbles	3	With filter
	1	432 2965-02	Cable set	Jeu de câbles	3	Without filter USA
12	1	432 2972-02	Cable set	Jeu de câbles	3	-795/4624
	1	432 3072-02	Cable set	Jeu de câbles	3	795/4625-
13	1	432 2961-02	Cable set	Jeu de câbles	3	3AC X1-X311, Terminal block
	1	432 2961-01	Cable set	Jeu de câbles	3	3AC X1-X311, Main switch



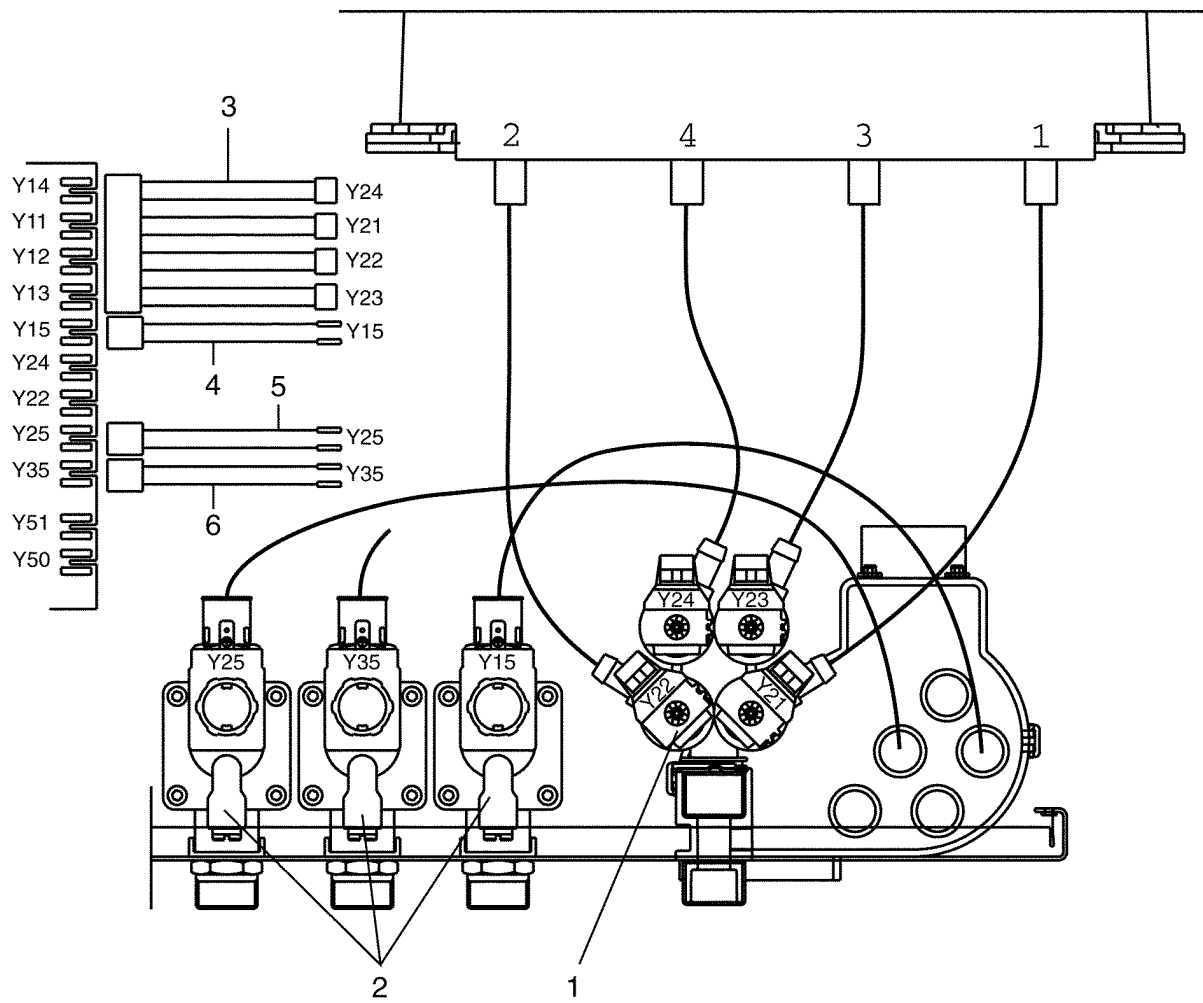
E675,W675,W675c,W675s

Water connections

Illustration Issue Month Year
Schéma Issue Month Year
101790/3 6 2 2008

Raccords d'eau

Item Article	Qua. Qua.	Art.No Réf. article	Description	Description	Info Info	Notes Remarques
1	1	438 0056-03	Nipple	Raccord	3	Black, 3/4"
	1	438 0056-04	Nipple	Raccord	3	White, 3/4", USA
2	Rq	471 8693-21	Filter	Filtre	3	
3	1	471 8199-01	Gasket	Joint	3	
4	1	471 8688-13	Nipple	Raccord	3	1/8"
5	1	741 5109-25	Plug	Fiche	3	El-drain
6	1	740 4206-00	O-ring	Joint torique	3	El-drain
7	Rq	472 6761-01	Cover washer	Rondelle protection	3	
8	1	432 2301-01	Siphon breaker	Rupteur de siphon	3	
9	Rq	471 8175-01	Plug	Fiche	3	
10	1	471 8644-02	Plug	Fiche	3	El-drain
11	1	432 2306-01	Hose	Flexible	1	
12	1	736 2846-51	Hose clamp	Attache flexible	3	Ø73-83
13	1	471 7871-07	Hose clamp	Attache flexible	3	
14	Rq	877 5211-08	Hose	Flexible	1	Per 1 m
15	Rq	736 2816-51	Hose clamp	Attache flexible	3	Ø13-19
16	Rq	432 2308-01	Hose	Flexible	1	
17	Rq	736 2825-51	Hose clamp	Attache flexible	3	Ø32
18	1	471 4792-01	Tool	Outil	3	
19	1	762 9102-05	Cable tie	Collier de serrage	3	



Issue	Month	Year
01	12	01

E675,SU675c,SU675s,W675,W675c,W675s,W3330M

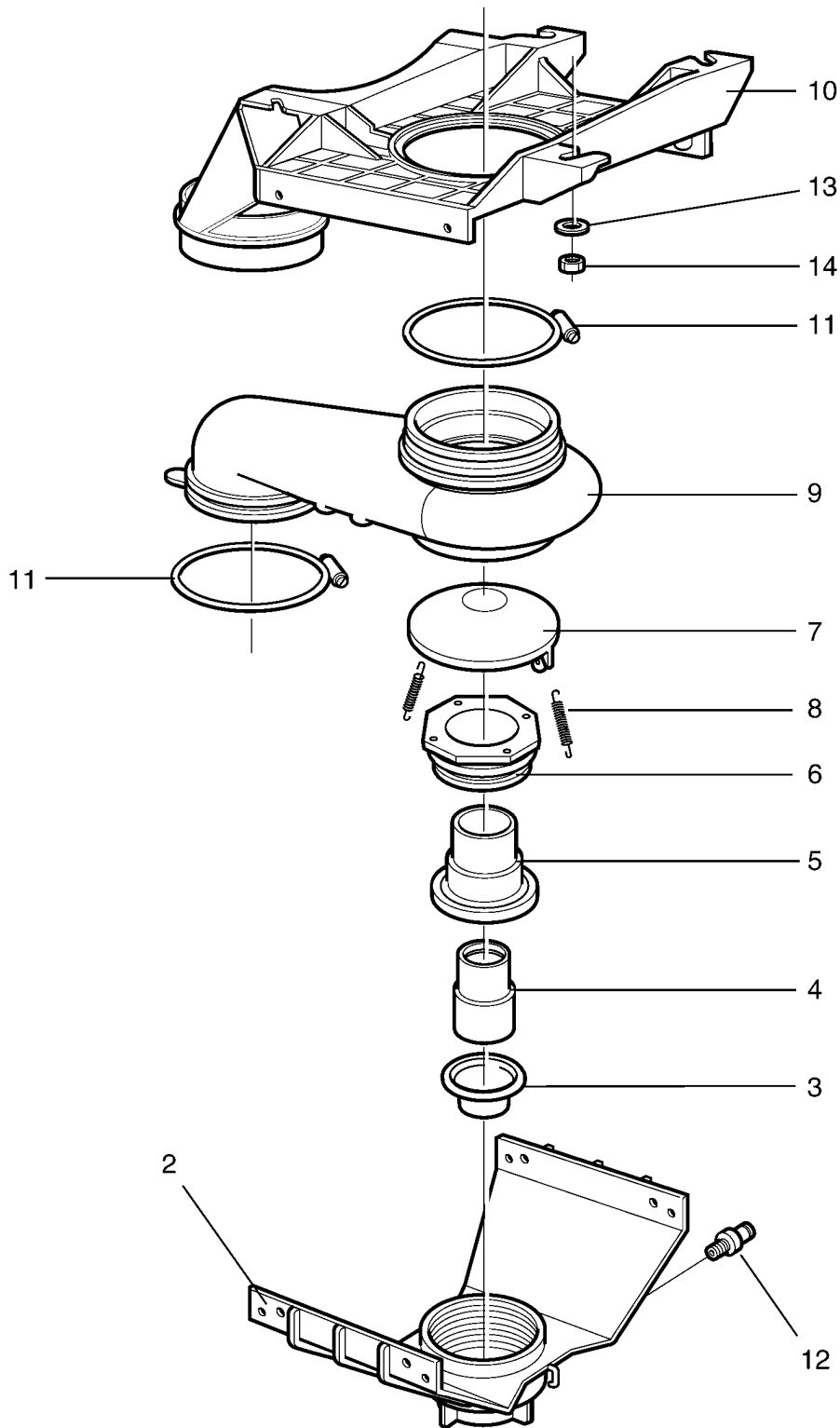
Inlet valves and cable set

Illustration Issue Month Year
Schéma Issue Month Year
102122/1 2 9 2004

Inlet valves and cable set

Item Article	Qua. Qua.	Art.No Réf. article	Description	Description	Info Info	Notes Remarques
1	1	471 8240-63	Valve	Electrovanne	1,2	4-way, 208-240V 50/60Hz, BSP
	1	471 8240-69	Valve	Electrovanne	1,2	4-way, 208-240V 50/60Hz, NH USA USA
	1	471 6860-15	•Coil	•Bobine	1,2	120V Green
	1	471 6860-16	•Coil	•Bobine	1,2	120V Orange
	1	471 6860-17	•Coil	•Bobine	1,2	120V White
	1	471 8240-90	•Coil	•Bobine	1,2	120V Grey
	1	471 6860-18	•Coil	•Bobine	1,2	208-240V Green
	1	471 6860-19	•Coil	•Bobine	1,2	208-240V Orange
	1	471 6860-20	•Coil	•Bobine	1,2	208-240V White
	1	471 8240-91	•Coil	•Bobine	1,2	208-240V Grey
2	3	471 8210-70	Valve	Electrovanne	1,2	208-240V 50/60Hz, BSP
	3	471 8210-79	•Coil	•Bobine	1,2	50/60 Hz
	3	471 8210-71	Valve	Electrovanne	1,2	208-240V 60Hz, NH USA USA
	3	471 8210-78	•Coil	•Bobine	1,2	60Hz USA
3	1	432 3088-51	Cable set	Jeu de câbles	3	X53:D- -795/4624
	1	432 3098-51	Cable set	Jeu de câbles	3	795/4625-
4	1	432 3182-46	Cable set	Jeu de câbles	3	X53:C- -795/4624
	1	432 3192-46	Cable set	Jeu de câbles	3	795/4625-
5	1	432 3182-45	Cable set	Jeu de câbles	3	X53:A- -795/4624
	1	432 3192-45	Cable set	Jeu de câbles	3	795/4625-
6	1	432 3182-44	Cable set	Jeu de câbles	3	X52 -795/4624
	1	432 3192-44	Cable set	Jeu de câbles	3	795/4625-

1



Issue	Month	Year
04	03	05

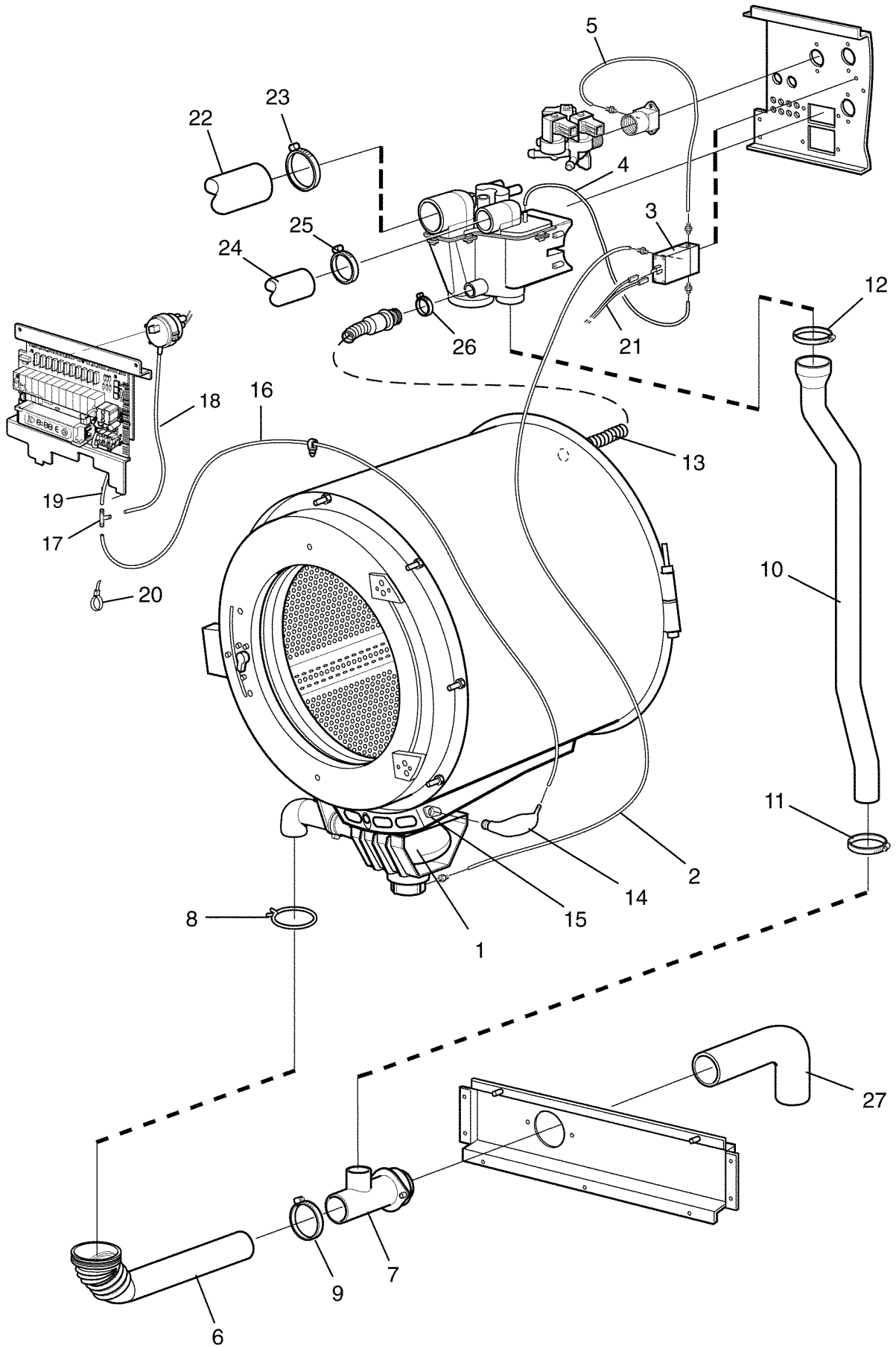
E675,SU675c,SU675s,W675,W675c,W675s,W3330M

Drain valve

Vanne de vidange

Illustration Issue Month Year
Schéma Issue Month Year
101772/4 4 11 2008

Item Article	Qua. Qua.	Art.No Réf. article	Description	Description	Info Info	Notes Remarques
1	1	432 2502-01	Drain valve	Vanne de vidange	1,2	
2	1	438 0051-01	•Lower frame	•Châssis inférieur	3	
3	1	471 8195-01	•Diaphragm	•Diaphragme	1,2	
4	1	438 0054-01	•Piston	•Piston	3	
5	1	438 0053-01	•Housing	•Logement	3	
6	1	438 0055-01	•Gland	•Presse-étoupe	3	
7	1	438 0052-01	•Cover	•Couvercle	3	
8	2	471 7818-01	•Spring	•Ressort	1	
9	1	432 2505-01	•Hose housing	•Membrane de vidange	1,2	
10	1	432 2501-01	•Upper frame	•Partie supérieure	3	
11	2	471 7871-04	•Hose clamp	•Attache flexible	3	
12	1	471 8688-13	•Nipple	•Raccord	1	1/8"
13	4	734 1153-09	Washer	Rondelle	3	BRB 6,4X12
14	4	732 2116-42	Locking nut	Contre-écrou	3	M6



Issue	Month	Year
03	12	02

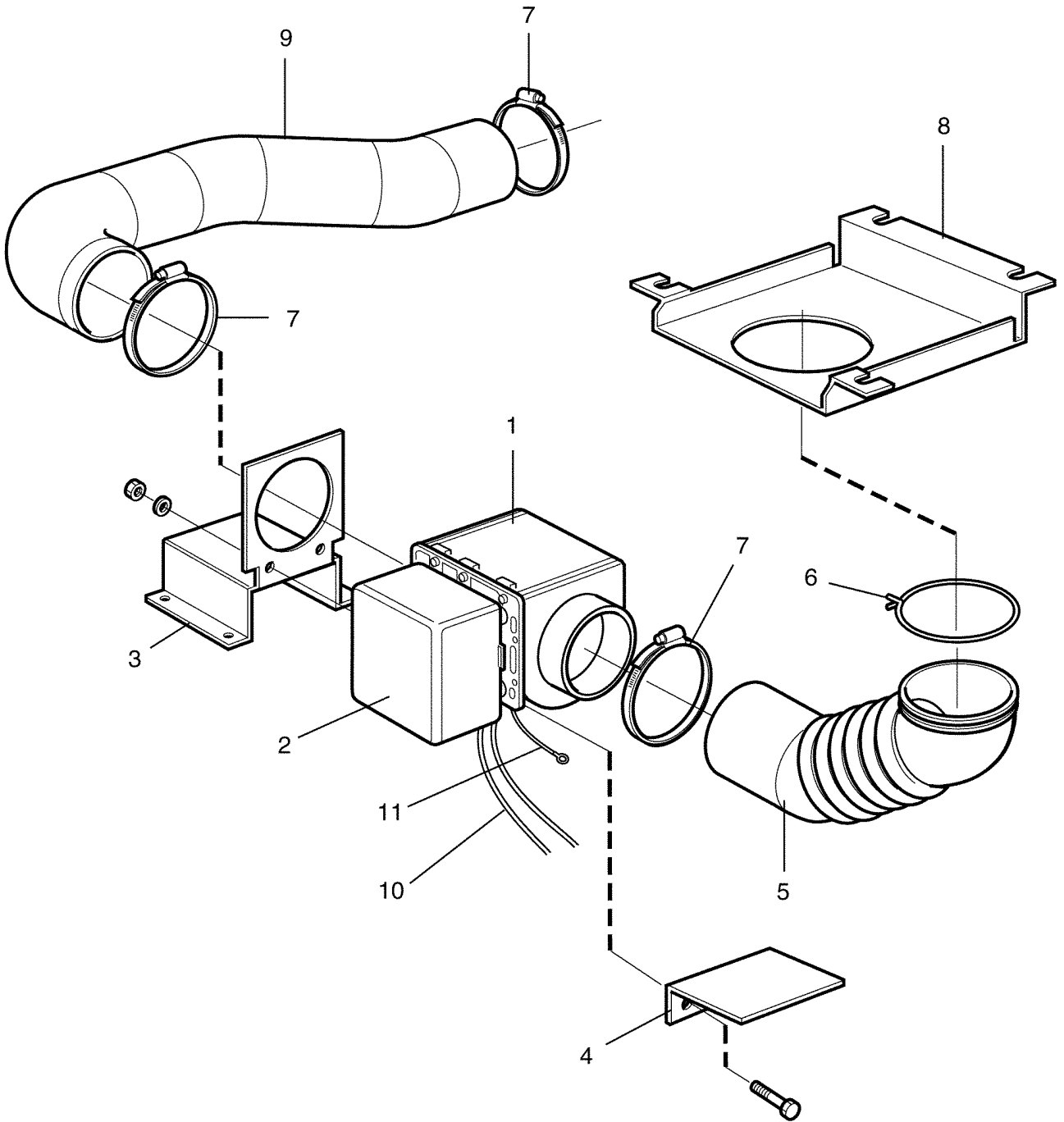
E675,W675,W675c,W675s

Drain valve and hoses

Purgeur et flexible

Illustration Issue Month Year
Schéma Issue Month Year
101946/3 7 2 2006

Item Article	Qua. Qua.	Art.No Réf. article	Description	Description	Info Info	Notes Remarques
1	1		Drain valve	Vanne de vidange		See illustr. 101772, 101924
2	1	471 8139-16	Hose	Flexible	1	L=2250
3	1	471 8243-04	Solenoid valve	Electrovanne	1,2	230V 50Hz -795/2474
	1	471 8243-05	Solenoid valve	Electrovanne	1,2	208-240V 60Hz -795/2474
	1	471 8243-07	Solenoid valve	Electrovanne	1,2	230V 50Hz 795/2475-
	1	471 8243-08	Solenoid valve	Electrovanne	1,2	208-240V 60Hz 795/2475-
	1	471 8243-10	Solenoid valve	Electrovanne	1,2	230V 50/60Hz Japan 795/2475-
4	1	471 8139-01	Hose	Flexible	1,2	L=330 -795/2474
	1	438 8102-06	Hose	Flexible	1,2	L=330 795/2475-
5	1	471 8139-01	Hose	Flexible	1	L=330
6	1	432 2522-01	Hose	Flexible	1	
7	1	432 2511-01	Drain pipe connection	Raccord de vidange	3	
8	1	471 7871-07	Hose clamp	Attache flexible	3	
9	1	736 2846-51	Hose clamp	Attache flexible	3	Ø73-83
10	1	432 2521-03	Hose	Flexible	1	
11	1	736 2837-51	Hose clamp	Attache flexible	3	Ø48-54
12	1	736 2837-51	Hose clamp	Attache flexible	3	Ø48-54
13	1	432 2508-02	Hose	Flexible	1	
14	1	432 2507-01	Air tube	Chambre de compression	1	
15	1	432 2506-01	Connection	Connexion	3	
16	1	471 8118-07	Hose	Flexible	1	L=1325
17	1	471 2265-69	T-pipe	Tube en T	3	
18	1	471 2442-42	Hose	Flexible	1,2	L=120 Clarus
19	1	471 2464-18	Hose	Flexible	1	L=280 Clarus
20	1	471 7873-02	Cable tie	Collier de serrage	3	
21	1	432 3182-43	Cable set	Jeu de câbles	3	X50
22	1	471 8128-65	Hose	Flexible	1	
23	2	736 2840-51	Hose clamp	Attache flexible	3	Ø50-63
24	1	471 8124-09	Hose	Flexible	1	
25	2	736 2831-51	Hose clamp	Attache flexible	3	Ø36-42
26	1	736 2825-51	Hose clamp	Attache flexible	3	Ø32
27	1	471 4835-01	Drain hose	Flexible de vidange		Ø75



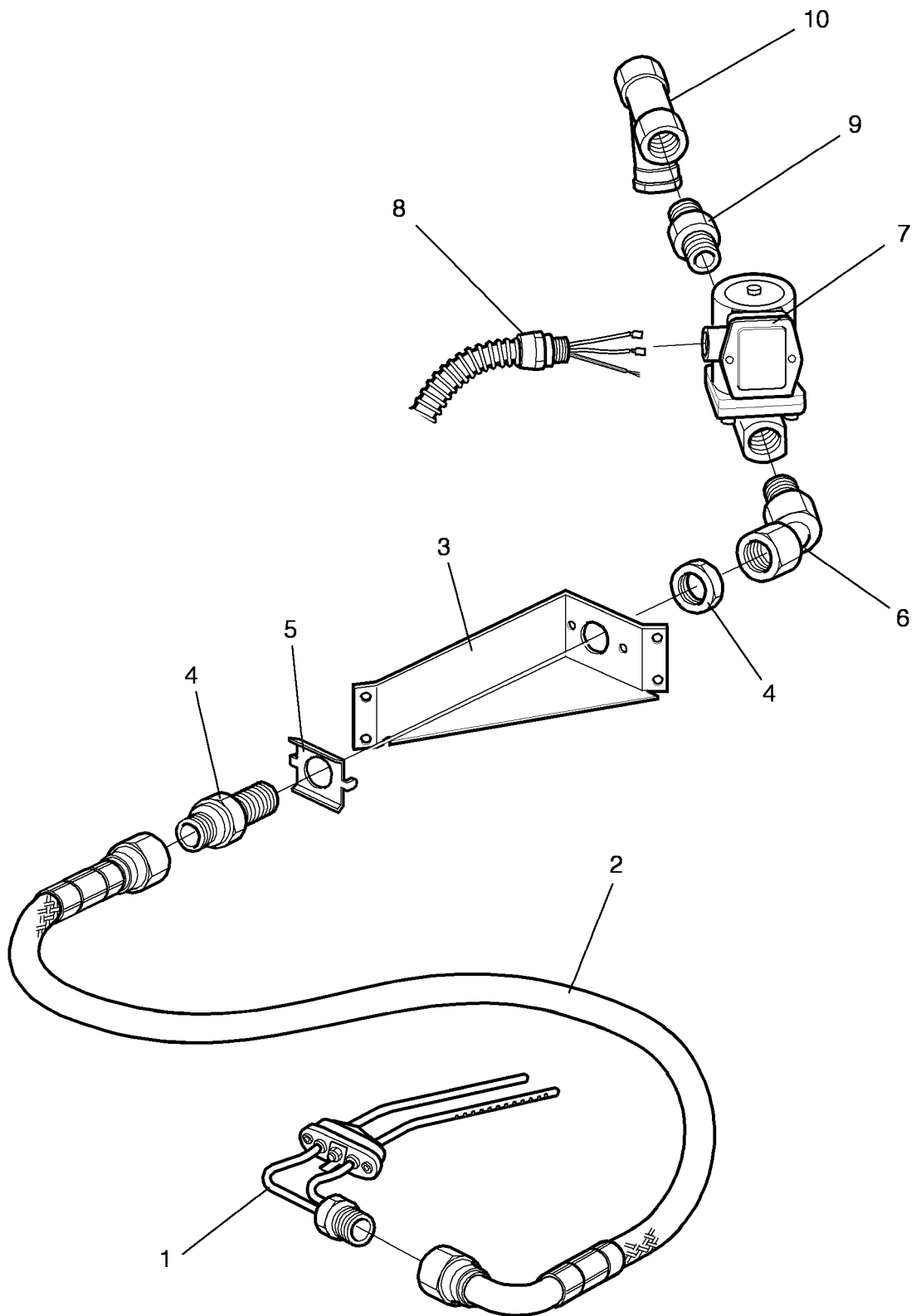
E675,W675,W675c,W675s

Drain valve, electrical

Drain valve, electrical

Illustration Issue Month Year
Schéma Issue Month Year
101924/2 7 8 2006

Item Article	Qua. Qua.	Art.No Réf. article	Description	Description	Info Info	Notes Remarques
1	1	471 8215-01	Drain valve	Vanne de vidange	1,2	50/60Hz
	1	471 8215-03	Drain valve	Vanne de vidange	1,2	50/60Hz Normally closed
2	1	432 2548-01	Cover	Couvercle	1	
3	1	432 2531-01	Mounting plate	Plaque de montage	3	
4	1	432 2537-01	Support	Support	3	
5	1	432 2516-05	Hose	Flexible	1	
6	1	471 7871-07	Hose clamp	Attache flexible	3	
7	3	736 2846-51	Hose clamp	Attache flexible	3	Ø73-83
8	1	432 2534-01	Mounting plate	Plaque de montage	3	
9	1	432 2518-05	Hose	Flexible	1	
10	1	432 2903-02	Cable set	Jeu de câbles	3	-795/4624
	1	432 3003-02	Cable set	Jeu de câbles	3	795/4625-
11	1	432 2982-10	Ground cable	Câble mise terre	3	



101918

Issue	Month	Year
01	10	02

E675,W675,W675c,W675s

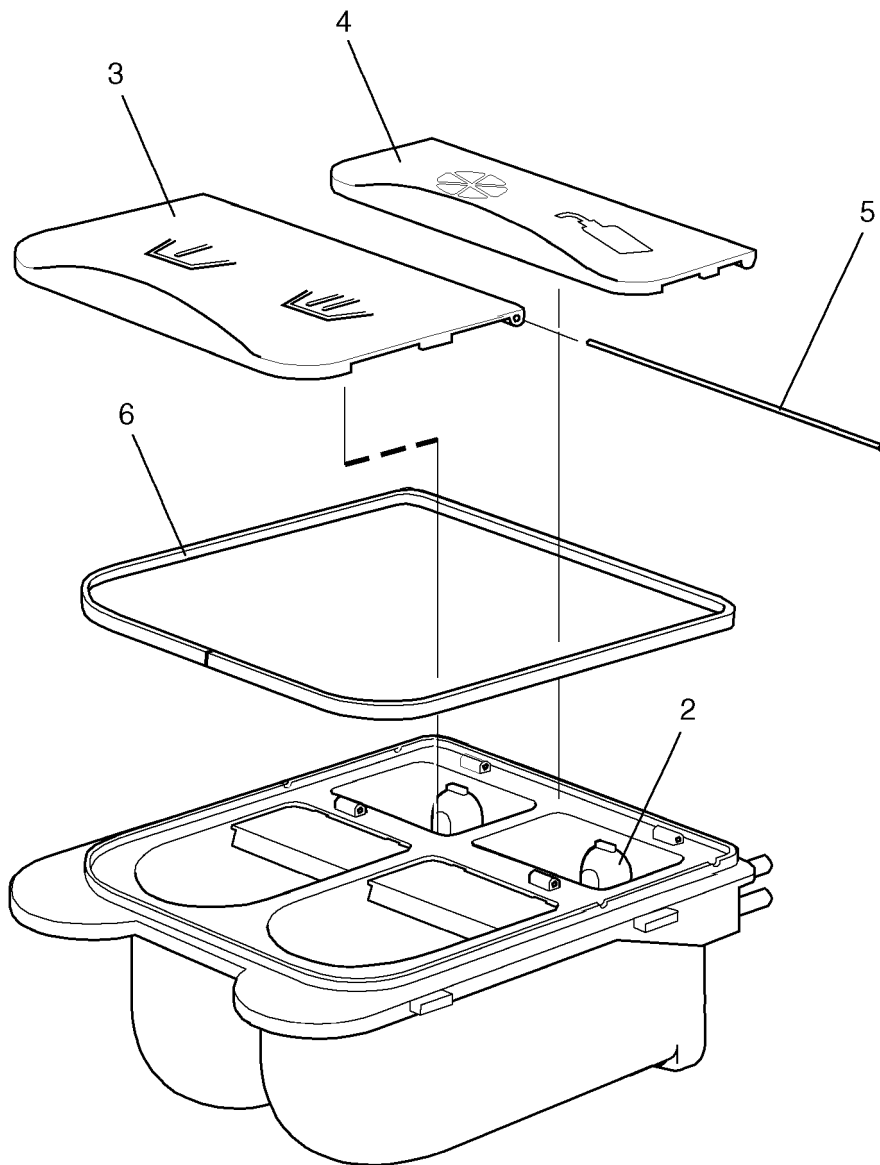
Steam components

Illustration Issue Month Year
Schéma Issue Month Year
101918/1 3 7 2003

Composants

Item Article	Qua. Qua.	Art.No Réf. article	Description	Description	Info Info	Notes Remarques
1	1	432 1631-01	Steam injector	Injecteur de vapeur	3	
2	1	471 8126-38	Steam hose	Tuyau flexible de vapeur	1	
3	1	432 1673-01	Bracket	Pupitre	3	
4	1	471 8695-01	Nipple	Raccord	3	
5	1	471 2937-01	Bracket	Support	3	
6	1	471 8697-01	Adapter	Adaptateur	3	
7	1	471 8279-03	Valve	Electrovanne	1,2	50/60 Hz
	1	471 8279-08	•Repair kit	•Kit de réparation	1,2	
8	1	432 2958-01	Cable set	Jeu de câbles	3	
9	1	471 8624-01	Nipple	Raccord	3	
10	1	744 3113-06	Filter	Filtre	3	1/2"

1



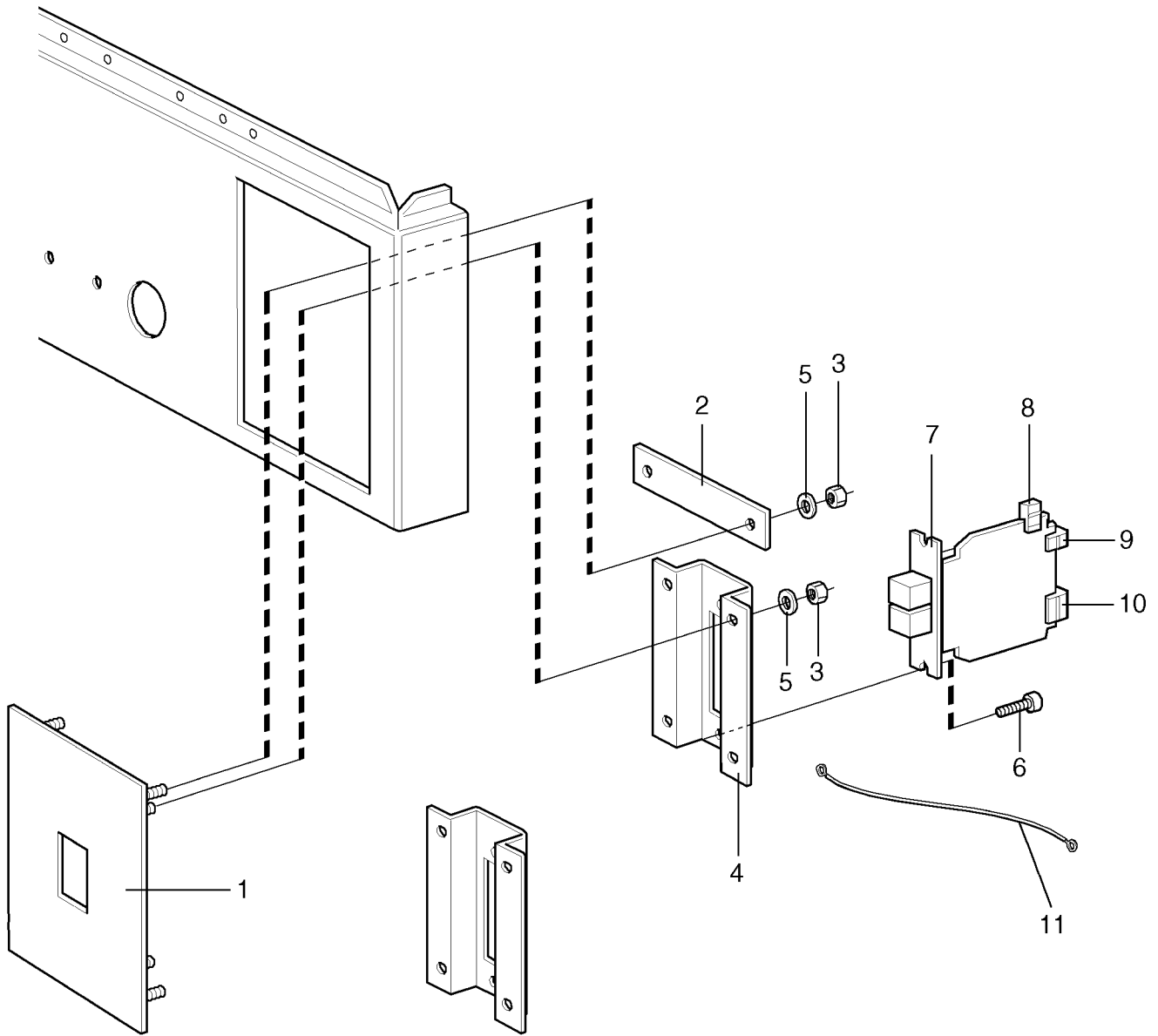
E675,SU675c,SU675s,W675,W675c,W675s,W3330M

Detergent container

Compartiment à savon

Illustration	Issue	Month	Year
Schéma	Issue	Month	Year
101771/2	5	4	2003

Item Article	Qua. Qua.	Art.No Réf. article	Description	Description	Info Info	Notes Remarques
1	1	432 2401-01	Detergent container	Compartiment à savon	1,2	
2	2	432 2404-01	•Siphon	•Siphon	1,2	
3	1	432 2405-01	•Cover	•Couvercle	1,2	
4	1	432 2406-01	•Cover	•Couvercle	1,2	
5	2	432 2407-01	•Shaft	•Arbre	3	
6	1	438 8103-01	•Seal	•Joint	1,2	
7	1	432 2409-01	Cover	Couvercle	3	



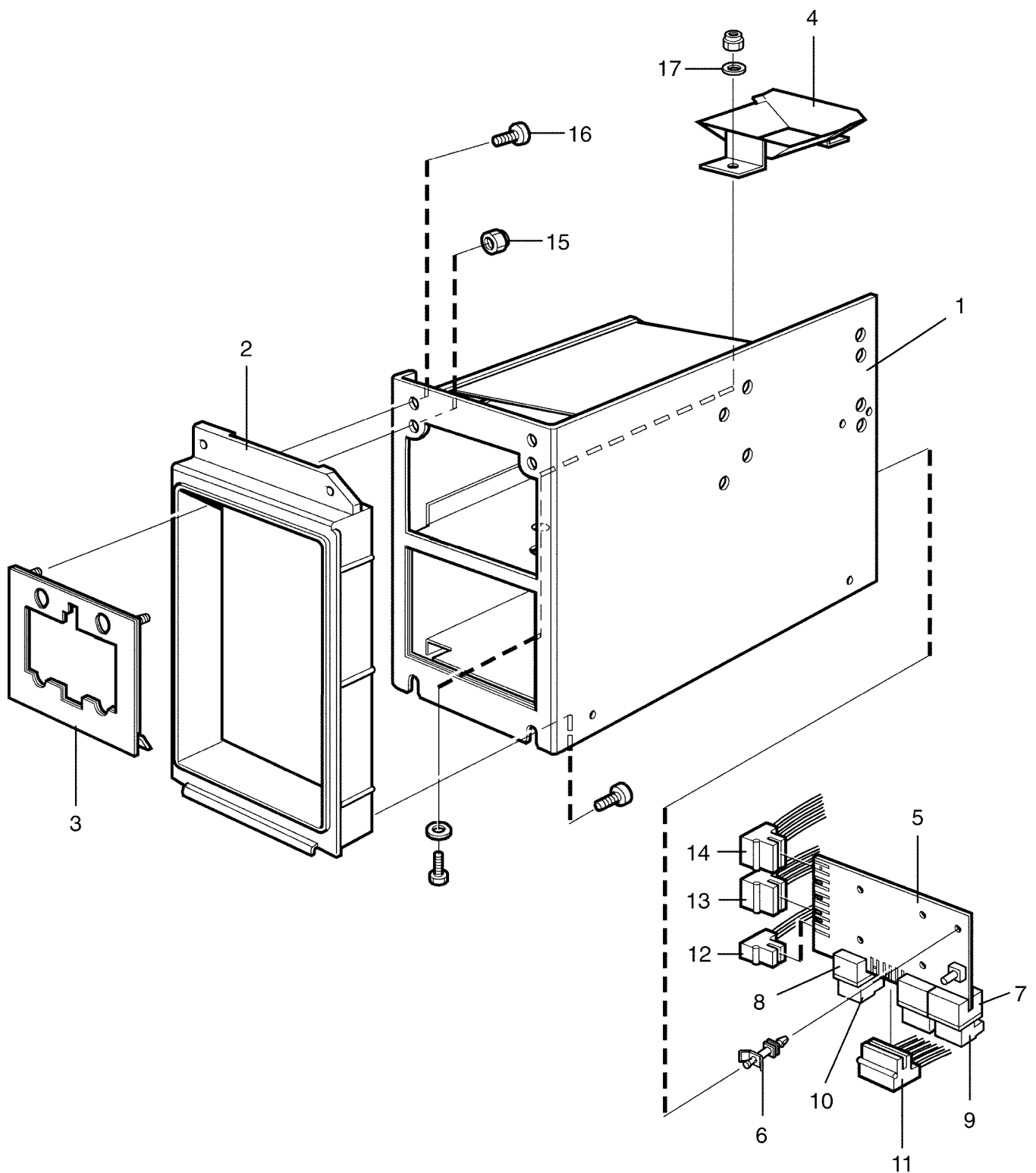
E675,W675,W675c,W675s

Manual starter unit, Classic

Sans monnayeur unité de démarrage, Classic

Illustration	Issue	Month	Year
Schéma	Issue	Month	Year
101991/1	2	9	2004

Item Article	Qua. Qua.	Art.No Réf. article	Description	Description	Info Info	Notes Remarques
1	1	432 2150-06	Cover plate	Couvercle	3	2-button
	1	432 2150-07	Cover plate	Couvercle	3	1-button
2	2	432 2181-01	Bracket	Support de montage	3	
3	8	732 2112-01	Locking nut	Contre-écrou	3	M4
4	1	471 4904-02	Bracket	Pupitre	3	
5	8	735 2136-01	Lock washer	Rondelle d'arrêt	3	AZ 4,3
6	2	725 2289-61	Screw	Vis	3	M4X10
7	1	438 9648-01	Pushbutton pad	Rang bouton-poussoir	1,2	2-button
	1	438 9648-02	Pushbutton pad	Rang bouton-poussoir	1,2	1-button
8	1	432 3082-40	Cable set	Jeu de câbles	3	-795/4624
	1	432 3092-40	Cable set	Jeu de câbles	3	795/4625-
9	1	432 3082-44	Cable set	Jeu de câbles	3	-795/4624
	1	432 3092-44	Cable set	Jeu de câbles	3	795/4625-
10	1	432 3084-06	Cable set	Jeu de câbles	3	-795/4624
	1	432 3094-06	Cable set	Jeu de câbles	3	795/4625-



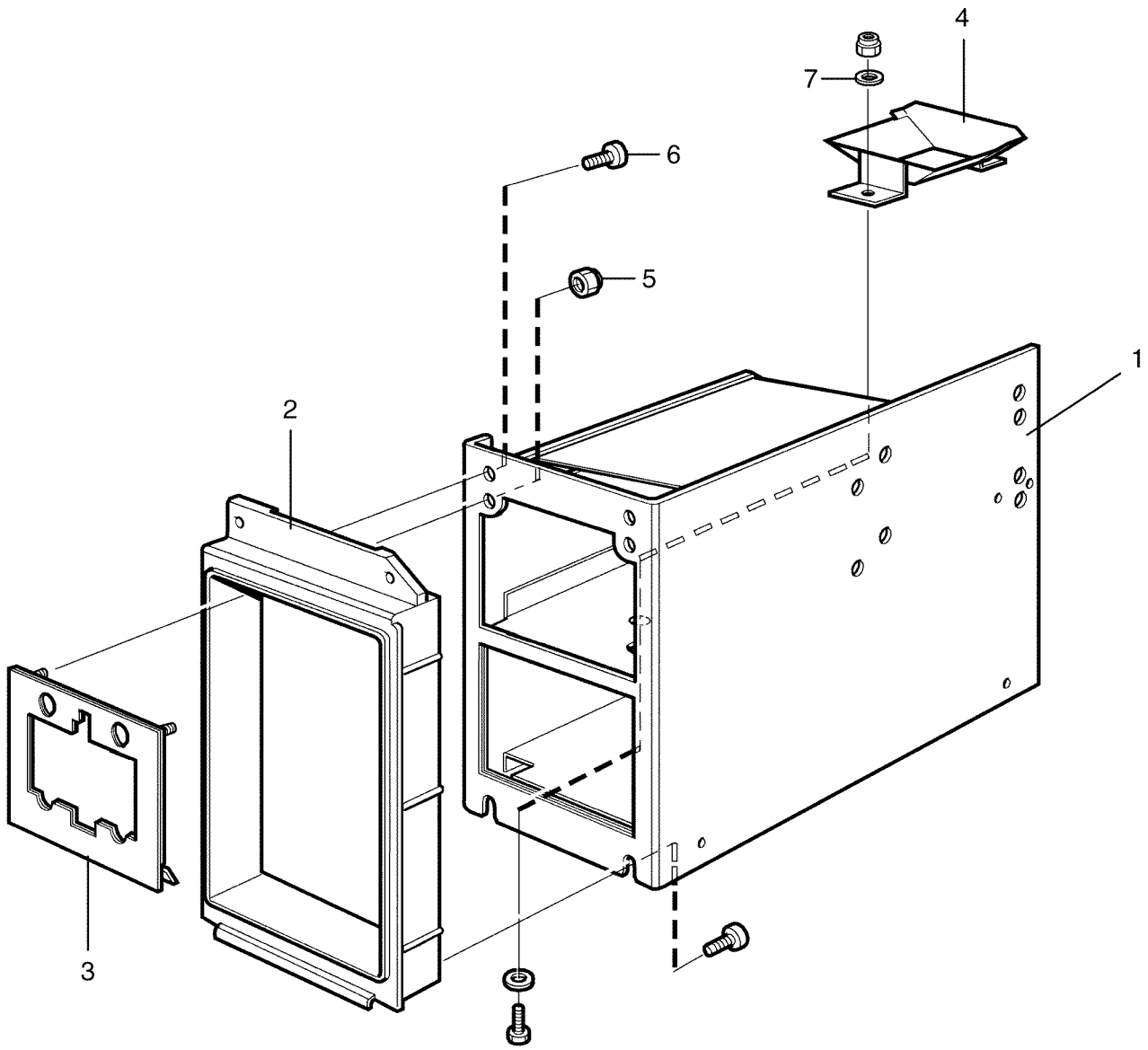
E675,SU675c,SU675s,W675,W675c,W675s,W3330M

Coin meter USA

Monnayeur USA

Illustration Issue Month Year
Schéma Issue Month Year
101979/2 2 1 2006

Item Article	Qua. Qua.	Art.No Réf. article	Description	Description	Info Info	Notes Remarques
1	1	432 2208-01	Cassette	Cassette	3	
2	1	432 2173-01	Frame	Châssis	3	
3	1	438 4086-01	Cover plate	Couvercle	3	
4	1	472 8604-01	Guide plate	Tôle de guidage	3	
5	1	438 8790-01	Printed circuit board	Circuit imprimé	1,2	
6	4	471 7960-02	Support	Support	3	
7	2	438 8701-02	Multistik	Multi-grippe	3	
8	1	438 8701-04	Frame	Châssis	3	
9	2	438 8701-01	Multistik	Multi-grippe	3	
10	1	438 8701-03	Multistik	Multi-grippe	3	
11	1	432 3086-15	Cable set	Jeu de câbles	3	
12	1	432 3082-55	Cable set	Jeu de câbles	3	
13	1	432 3082-23	Cable set	Jeu de câbles	3	
14	1	432 3084-01	Cable set	Jeu de câbles	3	X32-X132
15	3	732 2114-01	Locking nut	Contre-écrou	3	M5
16	3	725 2325-51	Screw	Vis	3	M5X10
17	2	734 1146-01	Washer	Rondelle	3	BRB 5,3X10



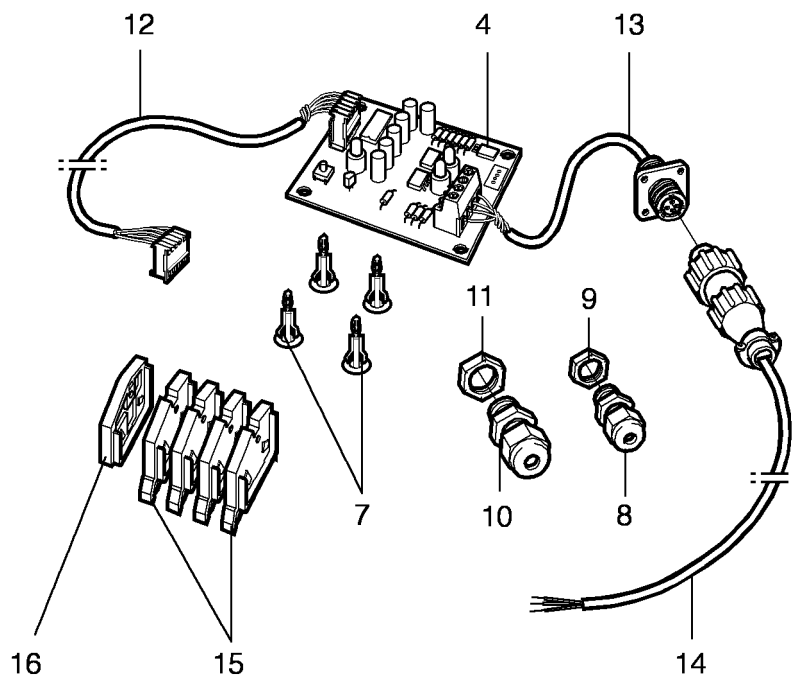
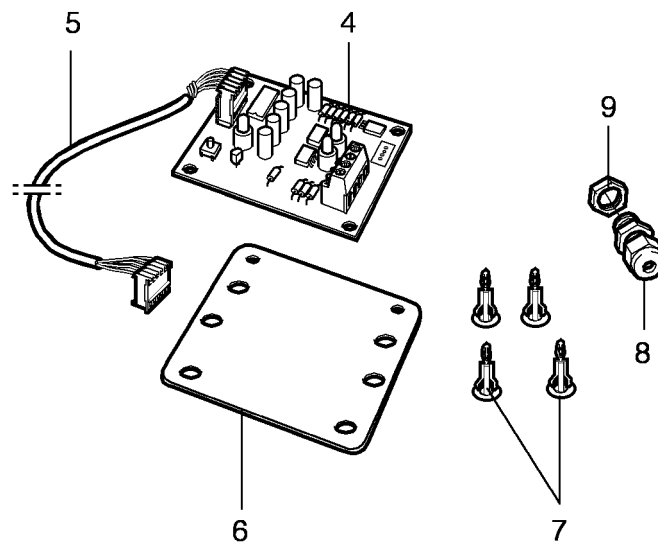
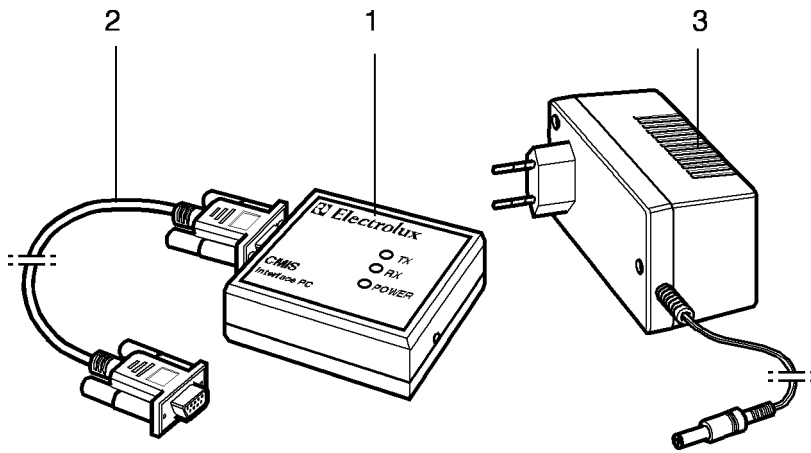
E675,W675,W675c,W675s

Coin meter USA Classic

Monnayeur USA Classic

Illustration	Issue	Month	Year
Schéma	Issue	Month	Year
102128/2	2	1	2006

Item Article	Qua. Qua.	Art.No Réf. article	Description	Description	Info Info	Notes Remarques
1	1	432 2208-01	Cassette	Cassette	3	
2	1	432 2173-01	Frame	Châssis	3	
3	1	438 4086-01	Cover plate	Couvercle	3	
4	1	472 8604-01	Guide plate	Tôle de guidage	3	
5	3	732 2114-01	Locking nut	Contre-écrou	3	M5
6	3	725 2325-51	Screw	Vis	3	M5X10
7	2	734 1146-01	Washer	Rondelle	3	BRB 5,3X10



Issue	Month	Year
01	10	02

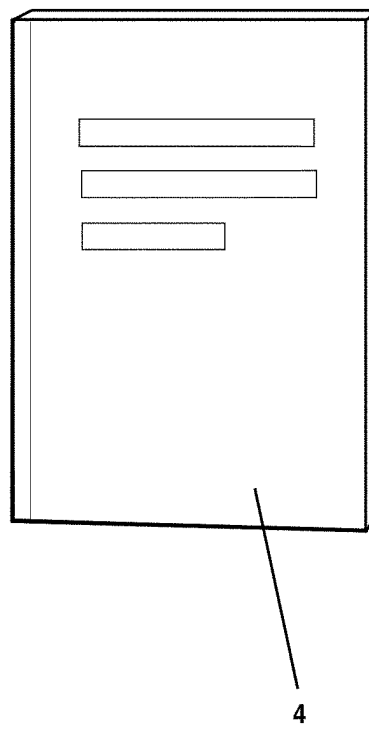
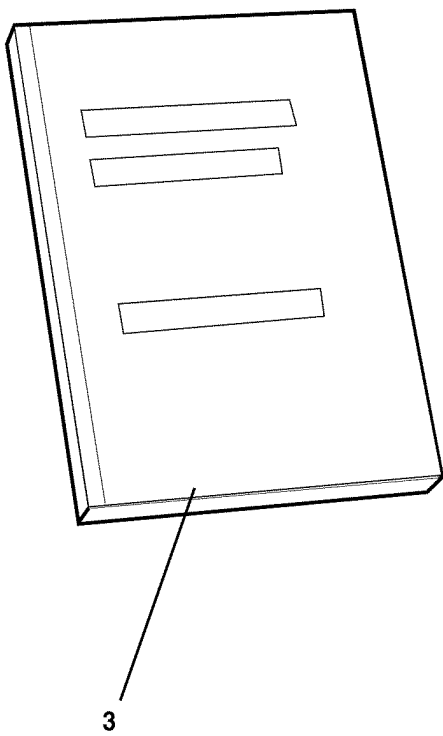
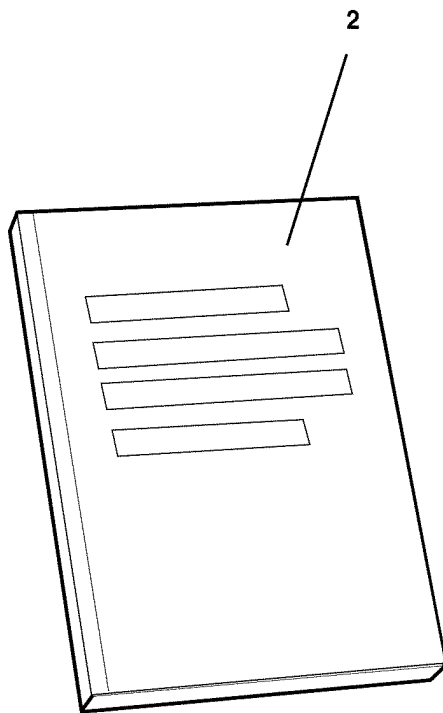
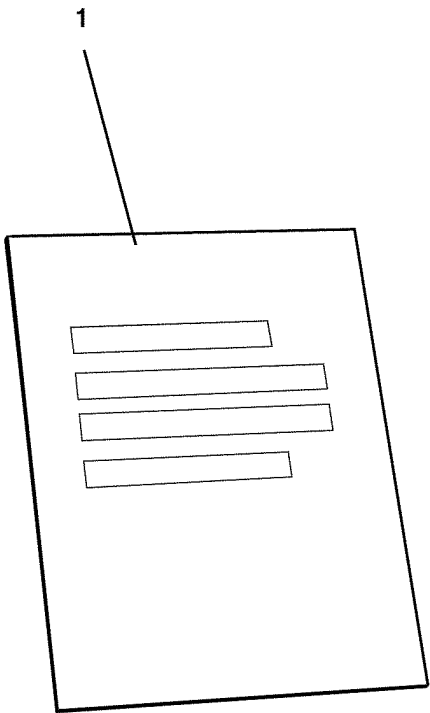
E675,SU675c,SU675s,W675,W675c,W675s,W3330M

CMIS

Illustration Issue Month Year
Schéma Issue Month Year
102107/1 2 3 2008

CMIS

Item Article	Qua. Qua.	Art.No Réf. article	Description	Description	Info Info	Notes Remarques
1	1	438 8796-01	Interface PC	Interface PC	1	Complete
2	1	438 8793-01	Cable	Câble	3	Complete
3	1	471 9680-01	Battery eliminator	Battery eliminator	3	24V
4	1	438 8791-01	CMIS Interface	CMIS Interface	1	
5	1	432 2933-03	Cable set	Jeu de câbles	3	
6	1	471 4601-01	Bracket	Pupitre	3	
7	4	471 7958-02	Support	Support	3	
8	1	471 8780-01	Screw fitting	Vis de raccord	3	15,2
9	1	471 8780-31	Nut	Écrou	3	15
10	1	471 8780-02	Screw fitting	Vis de raccord	3	18,2
11	1	471 8780-32	Nut	Écrou	3	18
12	1	432 2933-02	Cable set	Jeu de câbles	3	
13	1	438 7300-87	Cable set	Jeu de câbles	3	
14	1	438 7300-88	Cable set	Jeu de câbles	3	
15	4	438 8762-01	Block	Cale	3	
16	1	438 8762-11	Block	Cale	3	



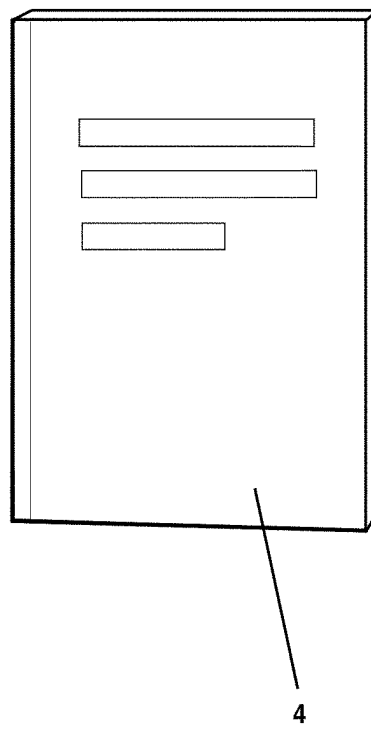
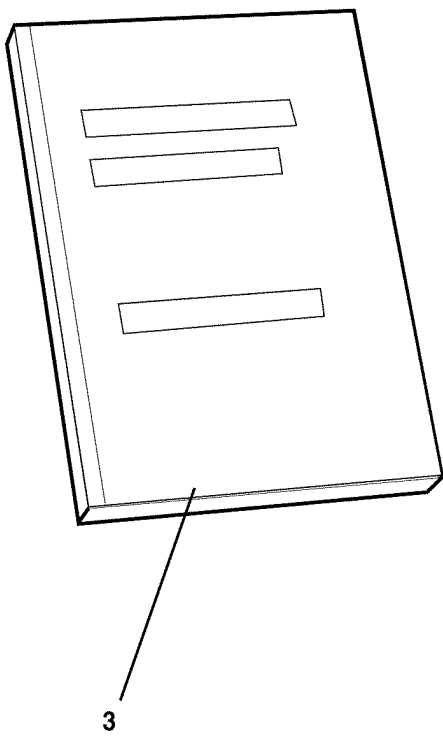
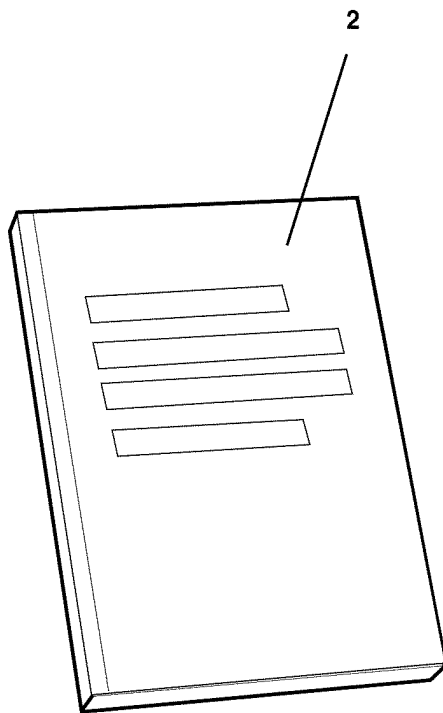
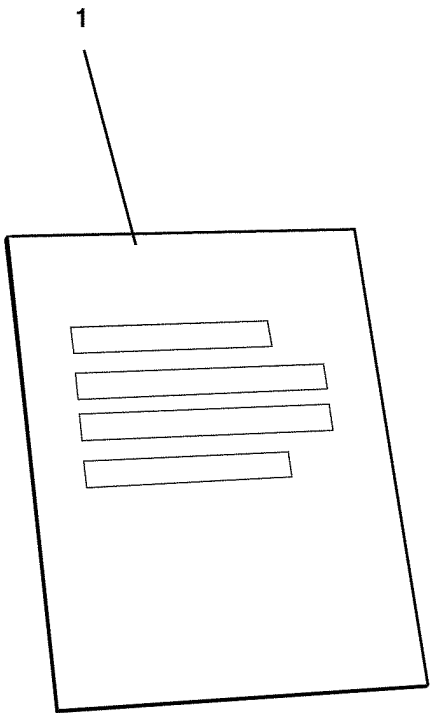
E675,W675,W675c,W675s

Technical documentation

Documentation technique

Illustration Issue Month Year
Schéma Issue Month Year
101969/1 1 5 1

Item Article	Qua. Qua.	Art.No Réf. article	Description	Description	Info Info	Notes Remarques	
1	1	438 9200-20	Installation instructions	Instructions installation	1	Exacta/Clarus Swedish	
	1	438 9200-21	Installation instructions	Instructions installation	1	Exacta/Clarus English	
	1	438 9200-22	Installation instructions	Instructions installation	1	Exacta/Clarus German	
	1	438 9200-23	Installation instructions	Instructions installation	1	Exacta/Clarus French	
	1	438 9200-24	Installation instructions	Instructions installation	1	Exacta/Clarus Spanish	
	1	438 9200-25	Installation instructions	Instructions installation	1	Exacta/Clarus Danish	
	1	438 9200-26	Installation instructions	Instructions installation	1	Exacta/Clarus Finnish	
	1	438 9200-27	Installation instructions	Instructions installation	1	Exacta/Clarus Norwegian	
	1	438 9200-28	Installation instructions	Instructions installation	1	Exacta/Clarus Dutch	
	1	438 9200-29	Installation instructions	Instructions installation	1	Exacta/Clarus Italian	
	1	438 9200-30	Installation instructions	Instructions installation	1	Exacta/Clarus Portuguese	
	1	438 9200-31	Installation instructions	Instructions installation	1	Exacta/Clarus Japanese	
	2	1	438 9200-50	User instructions	Instruction de fonctionnement	1	Exacta Swedish
		1	438 9200-51	User instructions	Instruction de fonctionnement	1	Exacta English
		1	438 9200-52	User instructions	Instruction de fonctionnement	1	Exacta German
		1	438 9200-53	User instructions	Instruction de fonctionnement	1	Exacta French
		1	438 9200-54	User instructions	Instruction de fonctionnement	1	Exacta Spanish
		1	438 9200-55	User instructions	Instruction de fonctionnement	1	Exacta Danish
		1	438 9200-56	User instructions	Instruction de fonctionnement	1	Exacta Finnish
		1	438 9200-57	User instructions	Instruction de fonctionnement	1	Exacta Norwegian
		1	438 9200-58	User instructions	Instruction de fonctionnement	1	Exacta Dutch
		1	438 9200-59	User instructions	Instruction de fonctionnement	1	Exacta Italian
		1	438 9200-60	User instructions	Instruction de fonctionnement	1	Exacta Portuguese
		1	438 9200-61	User instructions	Instruction de fonctionnement	1	Exacta Japanese
		1	438 9201-00	User instructions	Instruction de fonctionnement	1	Clarus Swedish
		1	438 9201-01	User instructions	Instruction de fonctionnement	1	Clarus English
		1	438 9201-02	User instructions	Instruction de fonctionnement	1	Clarus German
		1	438 9201-03	User instructions	Instruction de fonctionnement	1	Clarus French
		1	438 9201-04	User instructions	Instruction de fonctionnement	1	Clarus Spanish
		1	438 9201-05	User instructions	Instruction de fonctionnement	1	Clarus Danish
		1	438 9201-06	User instructions	Instruction de fonctionnement	1	Clarus Finnish
1		438 9201-07	User instructions	Instruction de fonctionnement	1	Clarus Norwegian	
1	438 9201-08	User instructions	Instruction de fonctionnement	1	Clarus Dutch		
1	438 9201-09	User instructions	Instruction de fonctionnement	1	Clarus Italian		
1	438 9201-11	User instructions	Instruction de fonctionnement	1	Clarus Japanese		



E675,W675,W675c,W675s

Technical documentation

Documentation technique

Illustration Issue Month Year
Schéma Issue Month Year
101969/1 1 5 1

Item Article	Qua. Qua.	Art.No Réf. article	Description	Description	Info Info	Notes Remarques
3	1	438 9200-70	User instructions	Instruction de fonctionnement	1	Classic Swedish
	1	438 9200-71	User instructions	Instruction de fonctionnement	1	Classic English
	1	438 9200-72	User instructions	Instruction de fonctionnement	1	Classic German
	1	438 9200-73	User instructions	Instruction de fonctionnement	1	Classic French
	1	438 9200-74	User instructions	Instruction de fonctionnement	1	Classic Spanish
	1	438 9200-75	User instructions	Instruction de fonctionnement	1	Classic Danish
	1	438 9200-76	User instructions	Instruction de fonctionnement	1	Classic Finnish
	1	438 9200-77	User instructions	Instruction de fonctionnement	1	Classic Norwegian
	1	438 9200-78	User instructions	Instruction de fonctionnement	1	Classic Dutch
	1	438 9200-79	User instructions	Instruction de fonctionnement	1	Classic Italian
	1	438 9200-80	User instructions	Instruction de fonctionnement	1	Classic Portuguese
	1	438 9200-81	User instructions	Instruction de fonctionnement	1	Classic Japanese
	1	438 9201-50	Service manual	Manuel d'entretien	1	Clarus Swedish
	1	438 9201-51	Service manual	Manuel d'entretien	1	Clarus English
	1	438 9201-52	Service manual	Manuel d'entretien	1	Clarus German
	1	438 9201-53	Service manual	Manuel d'entretien	1	Clarus French
	1	438 9201-54	Service manual	Manuel d'entretien	1	Clarus Spanish
	1	438 9201-59	Service manual	Manuel d'entretien	1	Clarus Italian
	1	438 9201-61	Service manual	Manuel d'entretien	1	Clarus Japanese
	1	438 9201-80	Service manual	Manuel d'entretien	1	Exacta Swedish
1	438 9201-81	Service manual	Manuel d'entretien	1	Exacta English	
1	438 9201-82	Service manual	Manuel d'entretien	1	Exacta German	
1	438 9201-83	Service manual	Manuel d'entretien	1	Exacta French	
1	438 9201-84	Service manual	Manuel d'entretien	1	Exacta Spanish	
1	438 9201-89	Service manual	Manuel d'entretien	1	Exacta Italian	
1	438 9201-91	Service manual	Manuel d'entretien	1	Exacta Japanese	
4	1	438 9050-50	Programming	Programmation	1	Clarus Swedish
	1	438 9050-51	Programming	Programmation	1	Clarus English
	1	438 9050-52	Programming	Programmation	1	Clarus German
	1	438 9050-53	Programming	Programmation	1	Clarus French
	1	438 9050-54	Programming	Programmation	1	Clarus Spanish
	1	438 9050-55	Programming	Programmation	1	Clarus Danish
	1	438 9050-56	Programming	Programmation	1	Clarus Finnish
	1	438 9050-57	Programming	Programmation	1	Clarus Norwegian
	1	438 9050-58	Programming	Programmation	1	Clarus Dutch
	1	438 9050-59	Programming	Programmation	1	Clarus Italian

Numerical index/Numerical index

Art.No/Réf. article	Page/Page	Art.No/Réf. article	Page/Page	Art.No/Réf. article	Page/Page	Art.No/Réf. article	Page/Page
413 2965-01	7	432 2171-01	37	432 2649-03	19	432 2650-58	21
413 2965-02	7	432 2172-01	43	432 2649-04	19	432 2650-59	21
413 2965-03	7	432 2172-01	45	432 2649-05	19	432 2650-60	21
432 1210-91	17	432 2173-01	63	432 2649-06	19	432 2650-61	21
432 1210-92	17	432 2173-01	65	432 2649-07	19	432 2650-62	21
432 1451-01	7	432 2180-01	9	432 2649-20	19	432 2650-63	21
432 1453-01	7	432 2181-01	25	432 2649-21	19	432 2650-64	21
432 1455-01	17	432 2181-01	61	432 2649-22	19	432 2650-65	21
432 1463-01	17	432 2182-04	9	432 2649-23	19	432 2650-66	21
432 1465-01	17	432 2196-01	43	432 2649-24	19	432 2650-67	21
432 1472-01	17	432 2196-01	45	432 2649-25	19	432 2650-68	21
432 1477-01	7	432 2198-01	7	432 2649-26	19	432 2650-69	21
432 1504-21	11	432 2198-02	13	432 2649-27	19	432 2650-70	21
432 1544-01	11	432 2200-61	9	432 2649-28	19	432 2650-71	21
432 1549-01	11	432 2200-62	9	432 2650-02	19	432 2650-72	21
432 1554-01	11	432 2200-63	9	432 2650-03	19	432 2650-73	21
432 1564-01	11	432 2200-64	9	432 2650-04	19	432 2650-74	21
432 1569-01	11	432 2200-65	9	432 2650-05	19	432 2650-75	21
432 1574-31	11	432 2200-66	9	432 2650-06	19	432 2650-76	23
432 1574-32	11	432 2200-67	9	432 2650-07	19	432 2650-77	23
432 1574-33	11	432 2200-70	9	432 2650-08	19	432 2650-78	23
432 1609-41	11	432 2208-01	63	432 2650-09	19	432 2650-79	23
432 1631-01	57	432 2208-01	65	432 2650-10	19	432 2650-80	23
432 1653-01	7	432 2301-01	47	432 2650-11	19	432 2650-81	23
432 1654-01	7	432 2306-01	47	432 2650-12	19	432 2650-82	23
432 1673-01	57	432 2308-01	47	432 2650-13	19	432 2650-83	23
432 1828-01	13	432 2401-01	59	432 2650-14	19	432 2650-84	23
432 1843-02	13	432 2404-01	59	432 2650-16	19	432 2650-85	23
432 1858-01	13	432 2405-01	59	432 2650-17	19	432 2650-86	23
432 1858-02	13	432 2406-01	59	432 2650-18	19	432 2650-87	23
432 1874-01	13	432 2407-01	59	432 2650-19	19	432 2650-88	23
432 1888-11*	13	432 2409-01	59	432 2650-20	19	432 2650-89	23
432 1890-01	13	432 2501-01	51	432 2650-24	19	432 2650-90	23
432 1950-02	13	432 2502-01	51	432 2650-25	19	432 2650-91	23
432 1951-01	13	432 2505-01	51	432 2650-26	19	432 2650-92	23
432 1955-01	13	432 2506-01	53	432 2650-27	21	432 2650-93	23
432 1956-01	13	432 2507-01	53	432 2650-28	21	432 2650-94	23
432 1960-01	15	432 2508-02	53	432 2650-29	21	432 2650-95	23
432 1962-01	13	432 2511-01	53	432 2650-30	21	432 2650-96	23
432 2015-01	29	432 2516-05	55	432 2650-31	21	432 2650-97	23
432 2016-01	19	432 2518-05	55	432 2650-32	21	432 2650-98	23
432 2024-01	27	432 2521-03	53	432 2650-33	21	432 2652-06	23
432 2044-01	9	432 2522-01	53	432 2650-34	21	432 2652-07	23
432 2044-02	9	432 2531-01	55	432 2650-35	21	432 2652-08	23
432 2044-10	9	432 2534-01	55	432 2650-36	21	432 2652-09	23
432 2068-01	9	432 2537-01	55	432 2650-37	21	432 2652-10	23
432 2076-01	9	432 2548-01	55	432 2650-38	21	432 2652-11	23
432 2107-01	9	432 2605-13	27	432 2650-39	21	432 2652-12	23
432 2121-02	9	432 2605-14	29	432 2650-40	21	432 2652-13	23
432 2131-07	9	432 2605-15	25	432 2650-41	21	432 2652-14	23
432 2138-01	25	432 2605-16	25	432 2650-42	21	432 2652-15	23
432 2138-01	27	432 2605-20	25	432 2650-43	21	432 2652-16	23
432 2138-01	29	432 2605-20	27	432 2650-44	21	432 2652-17	23
432 2150-01	25	432 2605-20	29	432 2650-45	21	432 2652-18	23
432 2150-06	61	432 2620-01	13	432 2650-46	21	432 2652-19	23
432 2150-07	61	432 2620-02	13	432 2650-47	21	432 2652-20	23
432 2154-01	41	432 2620-04	13	432 2650-48	21	432 2652-21	23
432 2156-11	41	432 2620-07	13	432 2650-49	21	432 2652-22	23
432 2156-12	41	432 2620-08	13	432 2650-50	21	432 2652-23	23
432 2167-01	31	432 2630-01	27	432 2650-51	21	432 2652-24	23
432 2168-01	33	432 2630-02	27	432 2650-52	21	432 2652-25	23
432 2168-01	37	432 2630-03	27	432 2650-53	21	432 2652-26	23
432 2169-01	43	432 2630-04	27	432 2650-54	21	432 2652-27	23
432 2169-01	45	432 2630-06	27	432 2650-55	21	432 2652-28	25
432 2170-01	9	432 2630-09	27	432 2650-56	21	432 2652-29	25
432 2171-01	35	432 2630-10	27	432 2650-57	21	432 2652-30	25

Numerical index/Numerical index

Art.No/Réf. article	Page/Page	Art.No/Réf. article	Page/Page	Art.No/Réf. article	Page/Page	Art.No/Réf. article	Page/Page
432 2652-31	25	432 2951-01	7	432 3084-01	63	432 3095-31	37
432 2652-32	25	432 2951-05	7	432 3084-06	61	432 3096-10	31
432 2652-33	25	432 2953-06	7	432 3084-29	37	432 3096-13	37
432 2652-34	25	432 2954-03	41	432 3085-31	33	432 3096-14	33
432 2652-35	25	432 2954-04	41	432 3085-31	37	432 3096-17	33
432 2652-36	25	432 2954-13	41	432 3086-10	31	432 3096-93	31
432 2652-37	25	432 2954-14	41	432 3086-13	37	432 3096-93	33
432 2652-38	25	432 2958-01	57	432 3086-14	33	432 3096-93	37
432 2652-39	25	432 2961-01	43	432 3086-15	63	432 3096-94	35
432 2652-40	25	432 2961-01	45	432 3086-17	33	432 3096-94	39
432 2652-41	25	432 2961-02	43	432 3086-93	31	432 3097-05	31
432 2720-01	19	432 2961-02	45	432 3086-93	33	432 3097-06	33
432 2720-02	19	432 2965-01	43	432 3086-93	37	432 3097-06	37
432 2720-03	19	432 2965-01	45	432 3086-94	35	432 3097-07	33
432 2720-04	19	432 2965-02	43	432 3086-94	37	432 3097-07	37
432 2720-05	19	432 2965-02	45	432 3087-05	31	432 3097-08	33
432 2720-06	19	432 2971-02	43	432 3087-06	33	432 3097-08	37
432 2720-08	19	432 2972-02	45	432 3087-06	37	432 3097-09	33
432 2720-09	19	432 2982-02	41	432 3087-07	33	432 3097-09	37
432 2720-10	19	432 2982-10	55	432 3087-07	37	432 3097-31	31
432 2720-11	19	432 2983-02	41	432 3087-08	33	432 3098-31	31
432 2720-12	19	432 2984-01	41	432 3087-08	37	432 3098-31	37
432 2720-13	19	432 2985-01	7	432 3087-09	33	432 3098-51	49
432 2720-14	19	432 2986-01	41	432 3087-09	37	432 3182-20	31
432 2720-15	19	432 2994-01	17	432 3087-31	31	432 3182-30	43
432 2720-17	19	432 2996-01	41	432 3088-31	31	432 3182-43	53
432 2750-01	27	432 3003-02	55	432 3088-31	37	432 3182-44	49
432 2802-01	29	432 3071-02	43	432 3088-51	49	432 3182-45	49
432 2802-40	29	432 3072-02	45	432 3092-19	31	432 3182-46	49
432 2802-80	29	432 3082-19	31	432 3092-25	41	432 3182-52	41
432 2844-01	9	432 3082-23	63	432 3092-26	31	432 3182-61	27
432 2851-01	29	432 3082-25	41	432 3092-37	43	432 3182-72	27
432 2851-02	29	432 3082-26	31	432 3092-40	61	432 3182-78	27
432 2851-04	29	432 3082-37	43	432 3092-42	31	432 3182-94	31
432 2851-05	29	432 3082-40	61	432 3092-44	61	432 3182-94	33
432 2851-07	29	432 3082-42	31	432 3092-46	33	432 3182-94	37
432 2851-08	29	432 3082-44	61	432 3092-47	31	432 3184-03	31
432 2851-10	29	432 3082-46	33	432 3092-51	31	432 3192-20	31
432 2851-11	29	432 3082-46	37	432 3092-52	33	432 3192-30	43
432 2851-13	29	432 3082-47	31	432 3092-53	33	432 3192-44	49
432 2851-14	29	432 3082-51	31	432 3092-54	33	432 3192-45	49
432 2851-16	29	432 3082-52	33	432 3092-54	37	432 3192-46	49
432 2851-17	29	432 3082-53	33	432 3092-58	31	432 3192-52	41
432 2851-19	29	432 3082-54	33	432 3092-58	33	432 3192-61	27
432 2851-25	29	432 3082-54	37	432 3092-58	37	432 3192-72	27
432 2851-40	29	432 3082-55	63	432 3092-65	33	432 3192-78	27
432 2851-41	29	432 3082-58	31	432 3092-65	37	432 3192-94	31
432 2851-43	29	432 3082-58	33	432 3092-78	31	432 3192-94	33
432 2851-44	29	432 3082-58	37	432 3092-86	41	432 3192-94	37
432 2851-46	29	432 3082-65	33	432 3092-89	31	432 3194-03	31
432 2851-47	29	432 3082-65	37	432 3092-99	33	432 3905-01	17
432 2851-49	29	432 3082-74	7	432 3092-99	37	432 3907-01	31
432 2851-50	29	432 3082-78	31	432 3093-01	39	432 3908-01	31
432 2851-52	29	432 3082-86	41	432 3093-13	33	432 3909-01	31
432 2851-53	29	432 3082-89	31	432 3093-13	37	432 3910-01	31
432 2851-54	29	432 3082-99	33	432 3093-16	33	432 4312-01	13
432 2851-55	29	432 3082-99	37	432 3093-16	37	432 4312-02	13
432 2851-80	29	432 3083-13	33	432 3093-36	17	432 4415-51	7
432 2851-81	29	432 3083-13	37	432 3093-36	31	438 0040-01	33
432 2851-85	29	432 3083-16	33	432 3093-36	33	438 0040-01	37
432 2851-86	29	432 3083-16	37	432 3093-36	37	438 0051-01	51
432 2903-02	55	432 3083-36	17	432 3093-82	33	438 0052-01	51
432 2905-01	15	432 3083-36	31	432 3094-06	61	438 0053-01	51
432 2933-02	67	432 3083-36	33	432 3094-29	37	438 0054-01	51
432 2933-03	67	432 3083-36	37	432 3095-05	39	438 0055-01	51
432 2945-01	41	432 3083-82	33	432 3095-31	33	438 0056-03	47

Numerical index/Numerical index

Art.No/Réf. article	Page/Page	Art.No/Réf. article	Page/Page	Art.No/Réf. article	Page/Page	Art.No/Réf. article	Page/Page
438 0056-04	47	438 9200-31	69	438 9648-01	61	471 7967-02	9
438 0076-02	33	438 9200-50	69	438 9648-02	61	471 7977-03	9
438 0076-02	37	438 9200-51	69	438 9650-01	33	471 8118-07	53
438 4049-01	17	438 9200-52	69	438 9650-01	37	471 8124-09	53
438 4062-01	13	438 9200-53	69	438 9670-02	41	471 8126-38	57
438 4086-01	63	438 9200-54	69	438 9678-04	41	471 8128-65	53
438 4086-01	65	438 9200-55	69	438 9678-12	41	471 8139-01	53
438 4118-01	7	438 9200-56	69	438 9678-14	41	471 8139-16	53
438 5109-02	9	438 9200-57	69	438 9700-61	17	471 8175-01	47
438 5335-01	9	438 9200-58	69	438 9700-62	17	471 8192-01	7
438 7300-87	67	438 9200-59	69	438 9709-61	17	471 8195-01	51
438 7300-88	67	438 9200-60	69	438 9709-62	17	471 8196-01	9
438 7950-01	41	438 9200-61	69	438 9709-63	17	471 8199-01	47
438 7950-02	41	438 9200-70	71	438 9710-61	17	471 8210-70	49
438 8102-06	53	438 9200-71	71	438 9710-62	17	471 8210-71	49
438 8103-01	59	438 9200-72	71	438 9719-61	17	471 8210-78	49
438 8115-04*	13	438 9200-73	71	438 9719-62	17	471 8210-79	49
438 8155-05	11	438 9200-74	71	438 9719-63	17	471 8215-01	55
438 8701-01	63	438 9200-75	71	471 2265-69	33	471 8215-03	55
438 8701-02	63	438 9200-76	71	471 2265-69	37	471 8240-63	49
438 8701-03	39	438 9200-77	71	471 2265-69	53	471 8240-69	49
438 8701-03	63	438 9200-78	71	471 2440-36	33	471 8240-90	49
438 8701-04	39	438 9200-79	71	471 2440-36	37	471 8240-91	49
438 8701-04	63	438 9200-80	71	471 2442-42	53	471 8243-04	53
438 8701-05	39	438 9200-81	71	471 2464-18	35	471 8243-05	53
438 8701-06	39	438 9201-00	69	471 2464-18	37	471 8243-07	53
438 8762-01	67	438 9201-01	69	471 2464-18	53	471 8243-08	53
438 8762-11	67	438 9201-02	69	471 2937-01	57	471 8243-10	53
438 8785-02	41	438 9201-03	69	471 4601-01	67	471 8279-03	57
438 8786-02	41	438 9201-04	69	471 4647-66	17	471 8279-08	57
438 8787-01	41	438 9201-05	69	471 4672-67	9	471 8323-01	11
438 8788-01	41	438 9201-06	69	471 4792-01	47	471 8328-02	11
438 8789-01	41	438 9201-07	69	471 4835-01	53	471 8342-47	15
438 8790-01	63	438 9201-08	69	471 4904-02	61	471 8344-35	9
438 8791-01	67	438 9201-09	69	471 6860-15	49	471 8344-36	13
438 8793-01	67	438 9201-11	69	471 6860-16	49	471 8356-08	17
438 8796-01	67	438 9201-50	71	471 6860-17	49	471 8404-02	13
438 8797-01	41	438 9201-51	71	471 6860-18	49	471 8458-02	9
438 8803-01	33	438 9201-52	71	471 6860-19	49	471 8458-02	13
438 8981-01	33	438 9201-53	71	471 6860-20	49	471 8471-01	13
438 8981-01	37	438 9201-54	71	471 7182-26	43	471 8502-10	17
438 8981-02	33	438 9201-59	71	471 7182-26	45	471 8502-24	17
438 8981-02	37	438 9201-61	71	471 7565-21	9	471 8502-34	11
438 8981-03	33	438 9201-80	71	471 7701-13	17	471 8527-01	13
438 8981-03	37	438 9201-81	71	471 7705-09	17	471 8624-01	57
438 9050-50	71	438 9201-82	71	471 7705-10	17	471 8637-03	17
438 9050-51	71	438 9201-83	71	471 7807-02	7	471 8641-02	9
438 9050-52	71	438 9201-84	71	471 7807-02	11	471 8644-02	47
438 9050-53	71	438 9201-89	71	471 7818-01	51	471 8688-13	47
438 9050-54	71	438 9201-91	71	471 7826-10	9	471 8688-13	51
438 9050-55	71	438 9555-11	31	471 7859-12	41	471 8693-21	47
438 9050-56	71	438 9555-11	33	471 7859-16	41	471 8695-01	57
438 9050-57	71	438 9555-11	37	471 7864-01	9	471 8697-01	57
438 9050-58	71	438 9555-12	31	471 7867-01	17	471 8750-11	41
438 9050-59	71	438 9555-12	33	471 7871-04	51	471 8759-01	41
438 9200-20	69	438 9555-12	37	471 7871-07	47	471 8759-51	41
438 9200-21	69	438 9561-01	15	471 7871-07	53	471 8767-01	41
438 9200-22	69	438 9636-02	43	471 7871-07	55	471 8780-01	67
438 9200-23	69	438 9636-02	45	471 7873-02	53	471 8780-02	67
438 9200-24	69	438 9636-03	43	471 7958-02	31	471 8780-31	67
438 9200-25	69	438 9636-03	45	471 7958-02	33	471 8780-32	67
438 9200-26	69	438 9636-22	41	471 7958-02	37	471 8859-14	33
438 9200-27	69	438 9636-23	41	471 7958-02	41	471 8859-14	37
438 9200-28	69	438 9642-01	37	471 7958-02	43	471 8861-01	31
438 9200-29	69	438 9644-01	33	471 7958-02	67	471 8861-01	33
438 9200-30	69	438 9645-01	37	471 7960-02	63	471 8861-01	37

Numerical index/Numerical index

Art.No/Réf. article	Page/Page	Art.No/Réf. article	Page/Page	Art.No/Réf. article	Page/Page	Art.No/Réf. article	Page/Page
471 8988-11	31	736 2825-51	47				
471 8992-13	43	736 2825-51	53				
471 9222-59	11	736 2831-51	53				
471 9529-05	43	736 2837-51	53				
471 9529-05	45	736 2840-51	53				
471 9550-54	7	736 2846-51	47				
471 9550-59	7	736 2846-51	53				
471 9558-12	31	736 2846-51	55				
471 9628-32	27	740 4206-00	47				
471 9628-33	27	741 5109-25	47				
471 9652-01	37	744 3113-06	57				
471 9652-02	33	762 1182-10	41				
471 9652-02	37	762 1215-10	41				
471 9678-94	41	762 9102-05	47				
471 9679-01	15	767 5101-92	45				
471 9680-01	67	877 5211-08	47				
471 9822-21	7						
471 9822-22	7						
471 9822-23	7						
471 9822-24	7						
471 9822-99	7						
471 9823-41	7						
471 9827-21	7						
471 9827-22	7						
471 9827-23	7						
471 9827-24	7						
472 6082-02	33						
472 6082-02	37						
472 6761-01	47						
472 8604-01	63						
472 8604-01	65						
472 9900-99	9						
472 9913-01	13						
472 9913-16	11						
472 9913-22	7						
472 9913-43	31						
472 9913-43	33						
472 9913-43	37						
472 9913-44	17						
472 9913-72	15						
472 9915-25	9						
472 9915-26	9						
472 9915-75	9						
472 9915-76	9						
725 2289-61	61						
725 2325-51	63						
725 2325-51	65						
725 2366-61	13						
725 2465-71	7						
728 8362-11	13						
732 2112-01	25						
732 2112-01	61						
732 2114-01	63						
732 2114-01	65						
732 2116-42	51						
732 2118-01	7						
732 2118-01	11						
732 2122-01	17						
734 1146-01	63						
734 1146-01	65						
734 1153-09	51						
735 2136-01	61						
735 2153-01	9						
735 3147-00	11						
735 9630-01	11						
736 2816-51	47						

WASCOMAT

461 Doughty Blvd., Inwood, L.I., N.Y. 11096-0338

Telephone: 516-371-4400

Parts and Service FAX: 516-371-4029

Sales and Administration FAX: 516-371-4204